

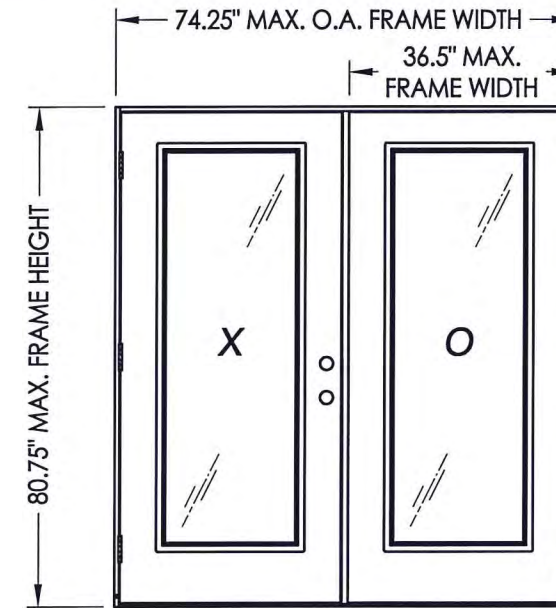
GLAZED FIBERGLASS "IMPACT" DOOR with SIDELITE(S) OUTSWING

GENERAL NOTES

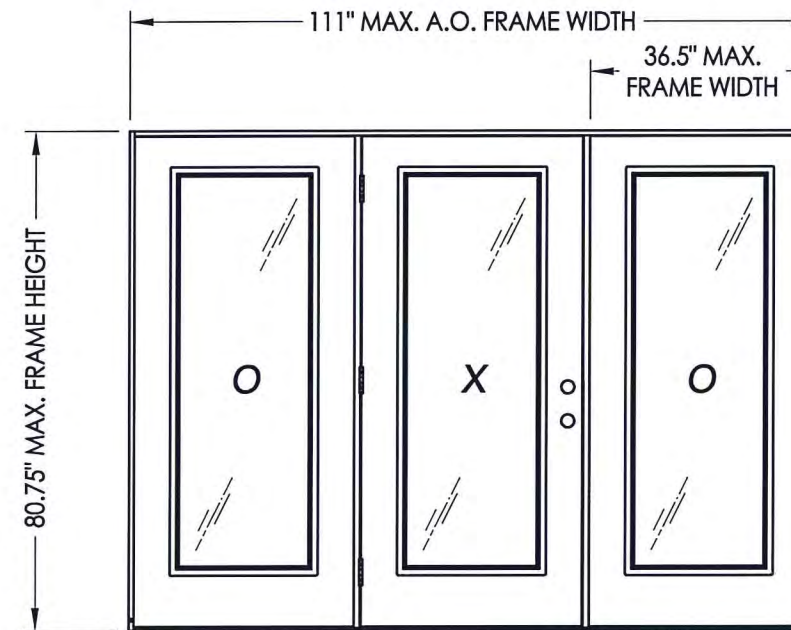
1. This product has been evaluated and is in compliance with the 5th Edition (2014) Florida Building Code (FBC) structural requirements including the "High Velocity Hurricane Zone" (HVHZ).
2. Product anchors shall be as listed and spaced as shown on details. Anchor embedment to base material shall be beyond wall dressing or stucco.
3. When used in the "HVHZ" this product complies with Section 1626 of the Florida Building Code and does not require an impact resistant covering.
4. When used in areas outside of the "HVHZ" requiring wind borne debris protection this product complies with Section 1609.1.2 of the FBC and does not require an impact resistant covering. This product meets missile level "D" and includes Wind Zone 4 as defined in ASTM E1996 and Section 1609.1.2.2 of the FBC.
5. For 2x stud framing construction, anchoring of these units shall be the same as that shown for 2x buck masonry construction.
6. Site conditions that deviate from the details of this drawing require further engineering analysis by a licensed engineer or registered architect.
7. This product meets water infiltration requirements for "HVHZ".

TABLE OF CONTENTS

SHEET#	DESCRIPTION
1	Typical elevations, design pressures & general notes
2	Door panel details and glazing details
3	Door panel details and glazing details
4	Sidelite panel details and glazing details
5	Elevations
6	Horizontal cross sections
7	Vertical cross sections
8	Vertical cross sections
9	Horizontal and vertical cross sections
10	Buck anchoring
11	Buck anchoring
12	Frame anchoring 2X buck masonry construction
13	Frame anchoring 2X buck masonry construction
14	Frame anchoring 1X buck masonry construction
15	Frame anchoring 1X buck masonry construction
16	Components
17	Bill of materials

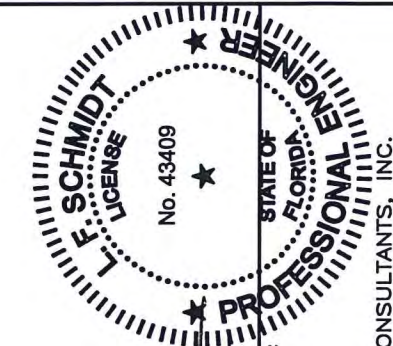


CONTINUOUS HEADER AND SILL



CONTINUOUS HEADER AND SILL

CONFIGURATION	MAX. FRAME DIMENSION	JAMB TYPE	DESIGN PRESSURE (PSF)	
			POSITIVE	NEGATIVE
OX/XO	74.25" x 80.75"	WOOD	+60.0	-70.0
		FIBERGLASS/COMP	+55.0	-55.0
OXO	111.0" x 80.75"	WOOD	+55.0	-55.0
		FIBERGLASS/COMP	+55.0	-55.0



Documents Prepared By:
Lyndon F. Schmidt
P.E. No. 43409

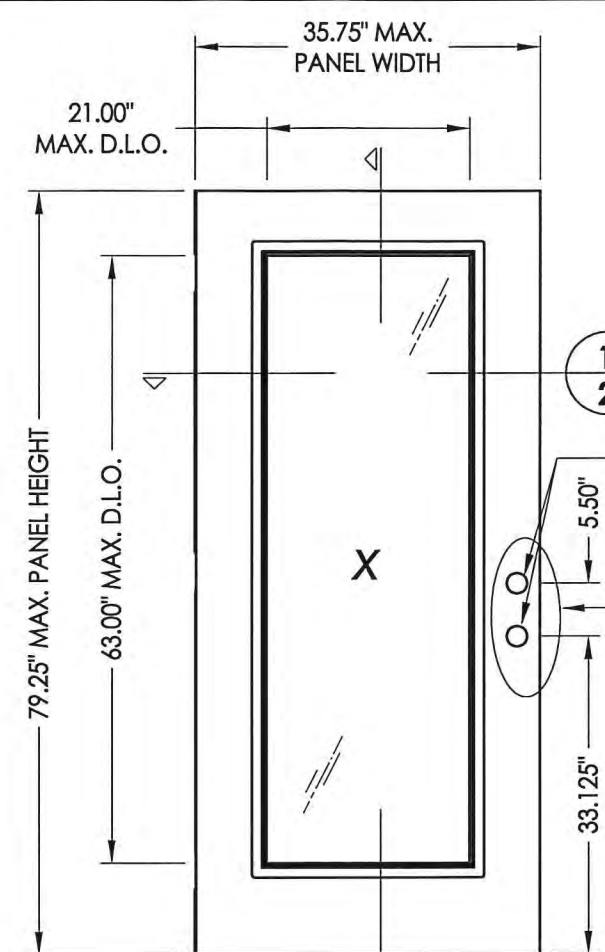
R.W. BUILDING CONSULTANTS, INC.
P.O. Box 230, Valrico, FL 33595
Phone No.: 813.659.9197
FBPE C.A. No. 9813

PRODUCT: TRINITY GLASS INT'L
PART OR ASSEMBLY:
TYPICAL ELEVATION, DESIGN PRESSURES & GENERAL NOTES

NO.	DATE	REVISIONS
1	03/02/15	UPDATE TO 5TH ED. (2014) FBC

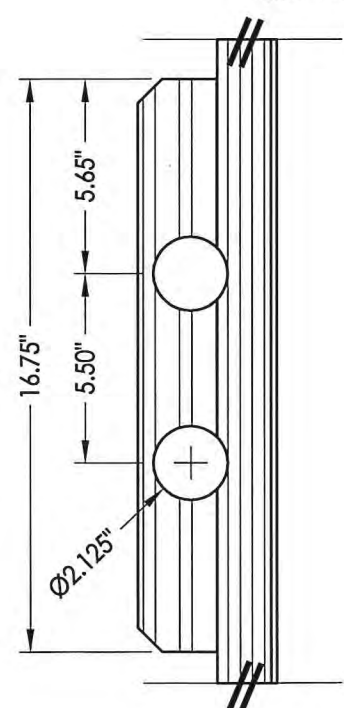
DATE: 02/27/12
SCALE: N.T.S.
DWG. BY: JK
CHK. BY: LFS
DRAWING NO.: FL-15255.6
SHEET 1 OF 17

R:\Clients\Trinity PERMANENT\Florida Product Approvals\FL-15255\C - Drawings\FL-15255\FL-15255.5-8.dwg, 2.2

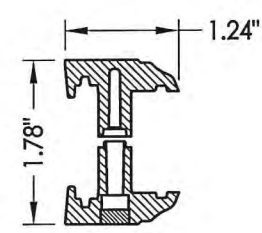


2
2

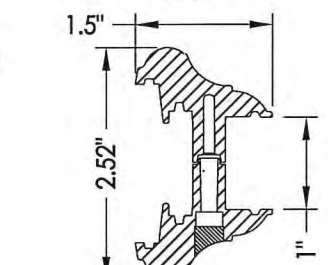
7 DOOR PANEL
Full lite



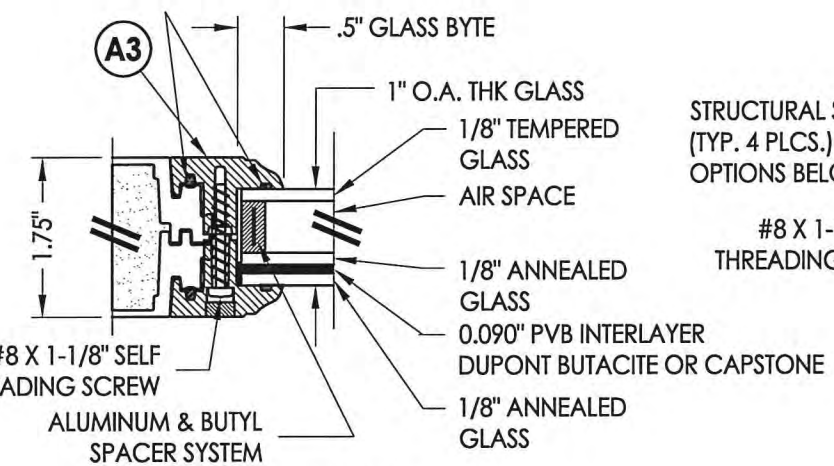
DETAIL 1



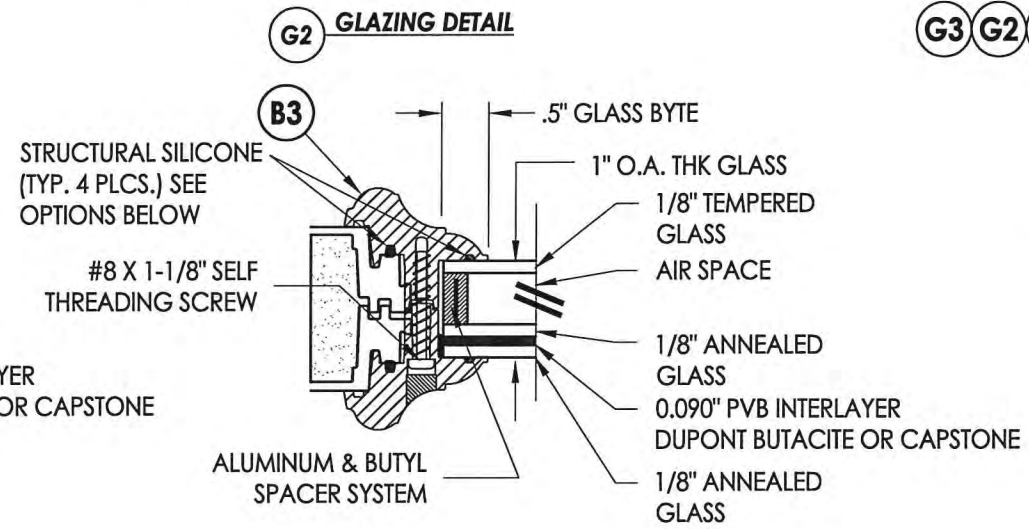
A3 FLUSH GLAZED FRAME
ABS or PC/ASA



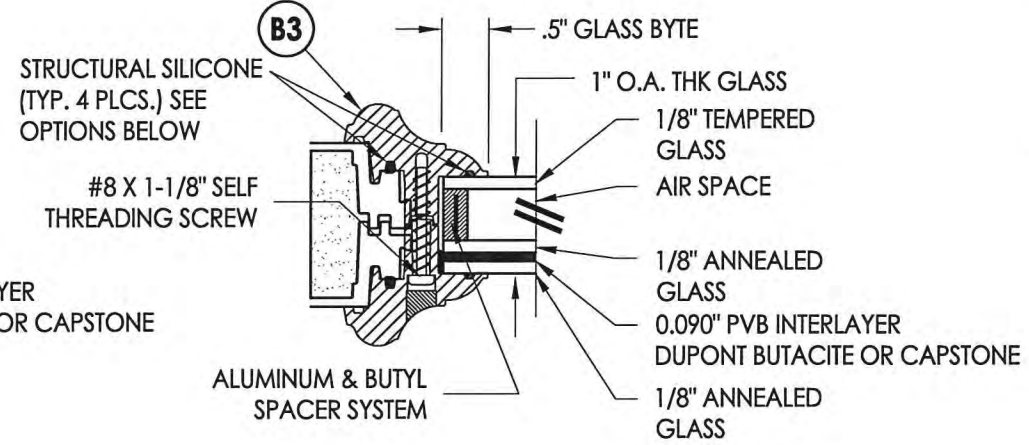
B3 MAHOGANY LITE FRAME
ABS or PC/ASA



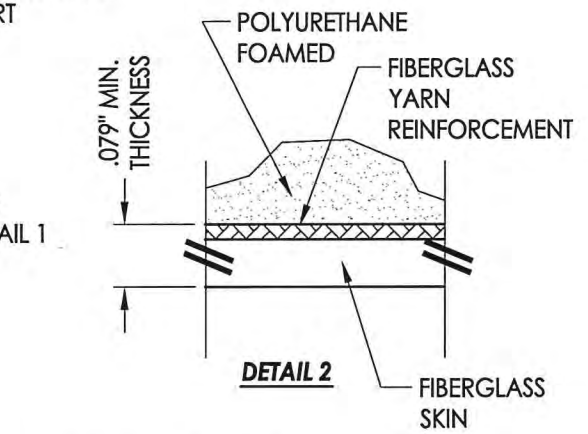
G1 GLAZING DETAIL



G2 GLAZING DETAIL



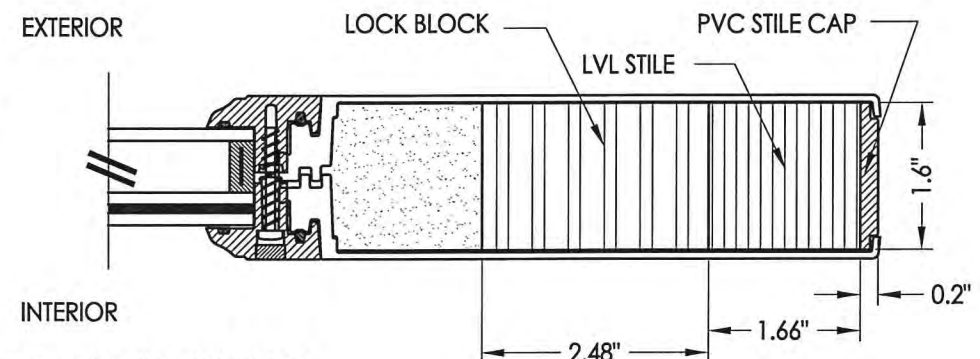
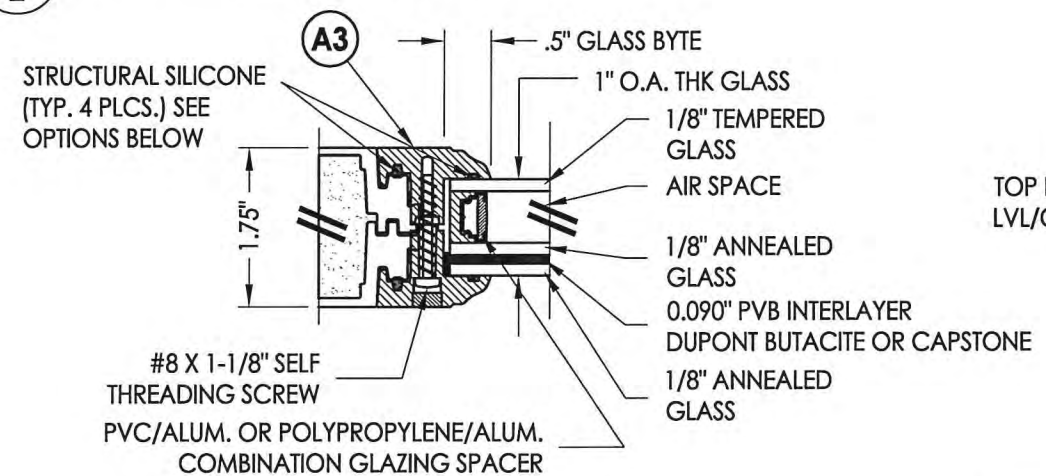
G3 GLAZING DETAIL



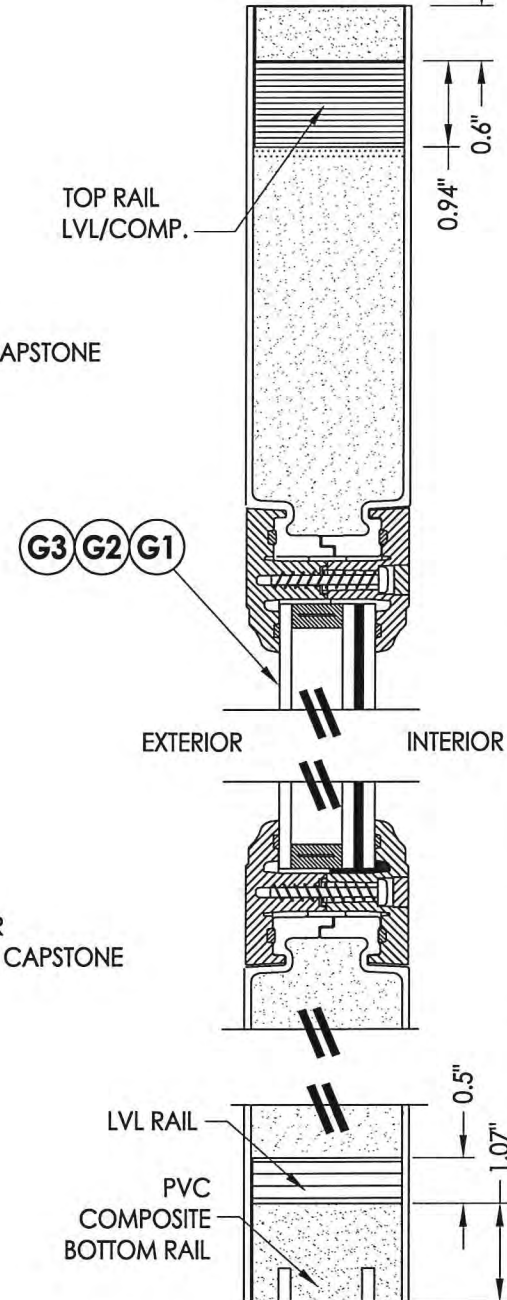
DETAIL 2

STRUCTURAL SILICONE (TYP. 4 PLCS.) SEE OPTIONS BELOW

1
2 **HORIZONTAL CROSS SECTION**



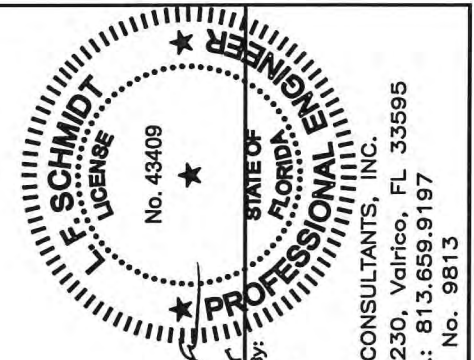
EXTERIOR
INTERIOR



2
2 **VERTICAL CROSS SECTION**

HARDWARE CHART	
MANUFACTURER	MODEL
KWIKSET	KNOB: SIGNATURE SERIES DEADBOLT: SIGNATURE SERIES (980)

STRUCTURAL SILICONE OPTIONS:
SILICONE BY CAPSTONE (4PL)
DOW 995 STRUCTURAL SILICONE
SILICONE BY DONGYANG SILICONE CO.



Documents Prepared By:
Lyndon F. Schmidt
P.E. No. 43409

RW BUILDING CONSULTANTS, INC.
P.O. Box 230, Valrico, FL 33595
Phone No.: 813.659.9197
FBPE C.A. No. 9813

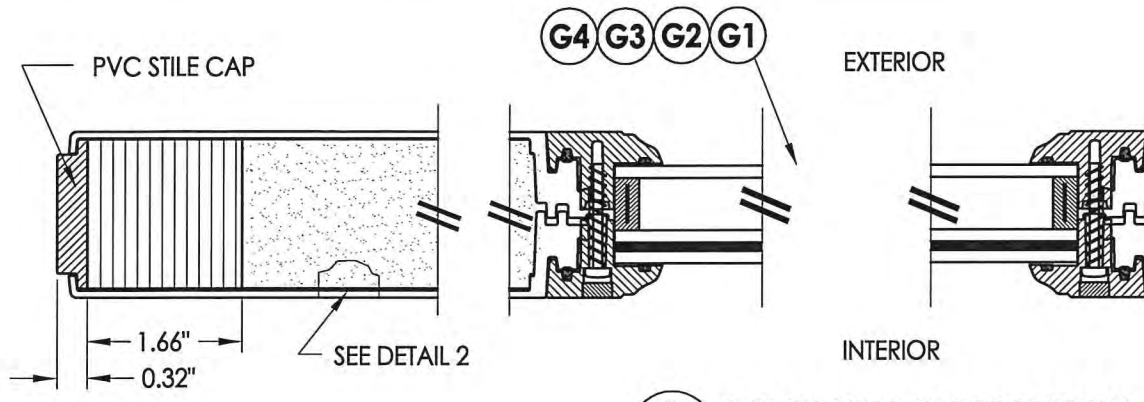
PRODUCT: TRINITY GLASS INT'L

PART OR ASSEMBLY: DOOR PANEL DETAILS AND GLAZING DETAILS

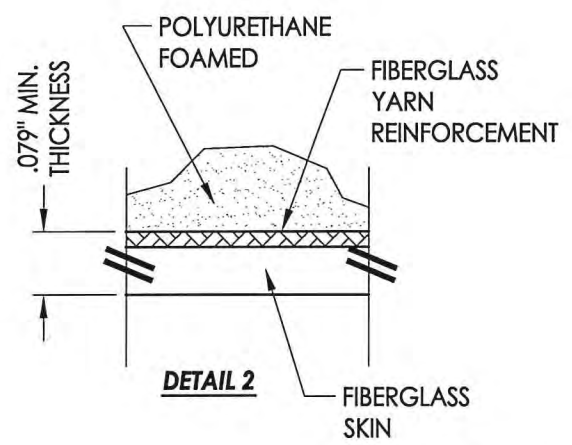
NO.	DATE	BY	REVISIONS
1	03/02/15	FBC	UPDATE TO 5TH ED. (2014)

DATE: 02/27/12
SCALE: N.T.S.
DWG. BY: JK
CHK. BY: LFS
DRAWING NO.: FL-15255.6
SHEET 2 OF 17

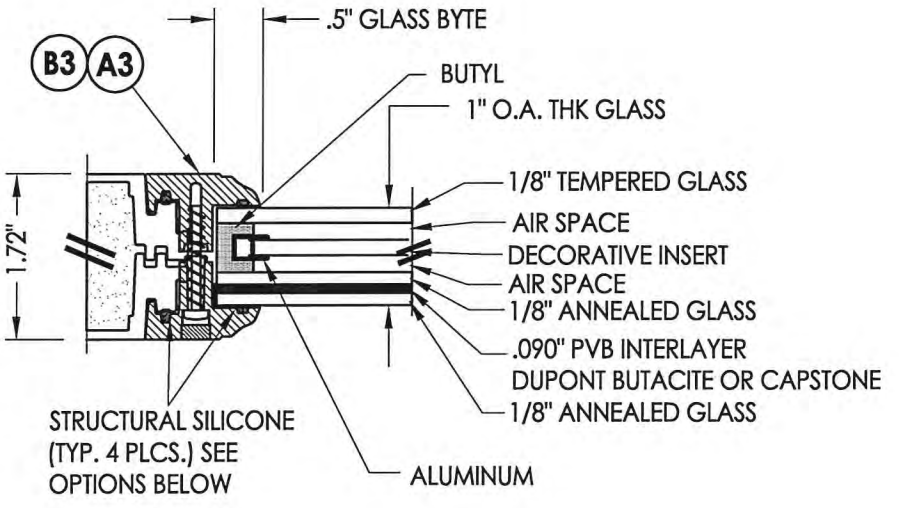
R:\Clients\Trinity PERMANENT\Florida Product Approvals\FL-15255\C - Drawings\FL-15255-5-8.dwg, 3.2



1
3 HORIZONTAL CROSS SECTION



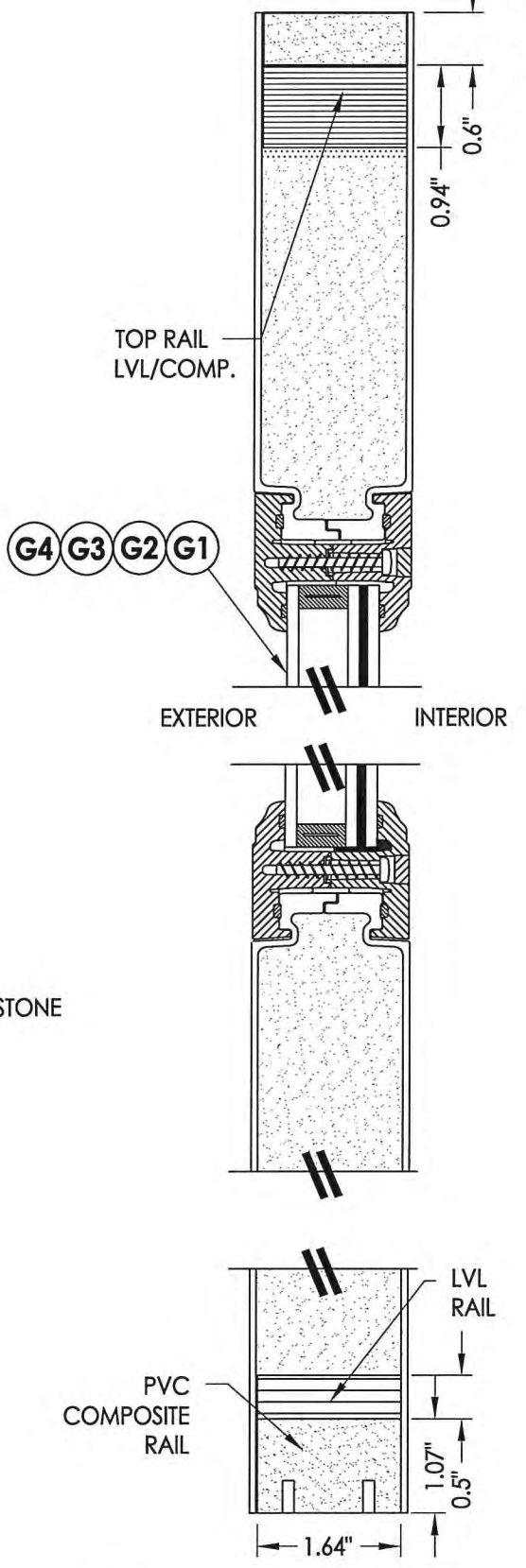
DETAIL 2



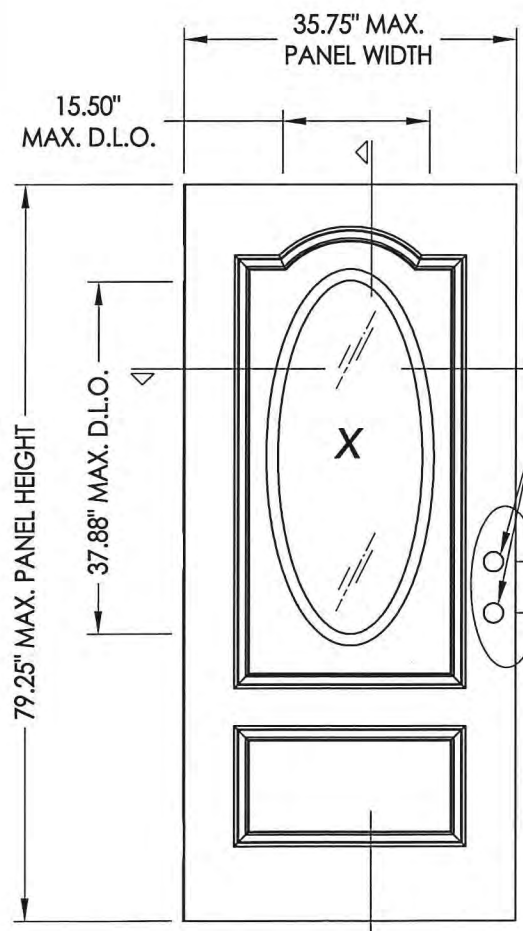
G4 GLAZING DETAIL

STRUCTURAL SILICONE OPTIONS:
 SILICONE BY CAPSTONE (4PL)
 DOW 995 STRUCTURAL SILICONE
 SILICONE BY DONGYANG SILICONE CO.

HARDWARE CHART	
MANUFACTURER	MODEL
KWIKSET	KNOB: SIGNATURE SERIES DEADBOLT: SIGNATURE SERIES (980)



2
3 VERTICAL CROSS SECTION



2
3
7 DOOR PANEL
Oval lite

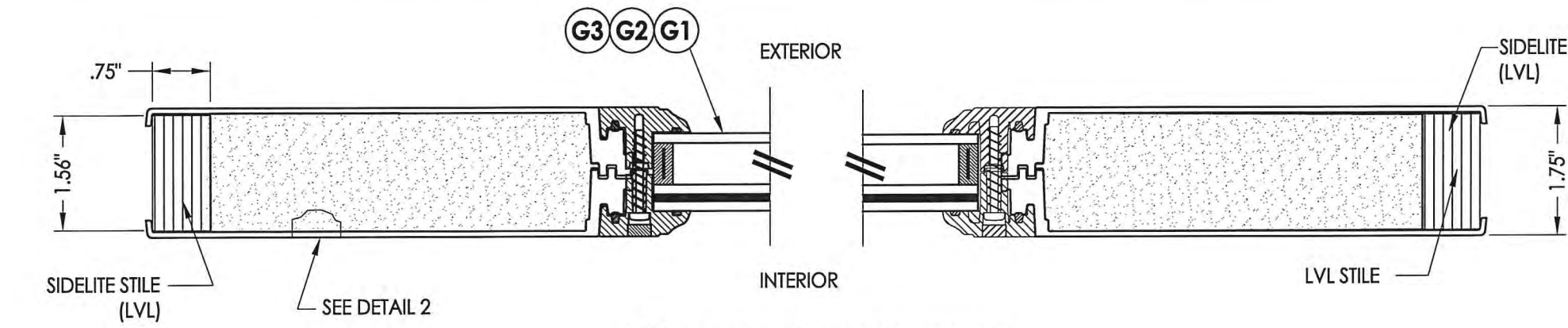
E. SCHMIDT
 LICENSE
 No. 43409
 STATE OF FLORIDA
 PROFESSIONAL ENGINEER

Documents Prepared By:
 Lyndon F. Schmidt
 P.E. No. 43409

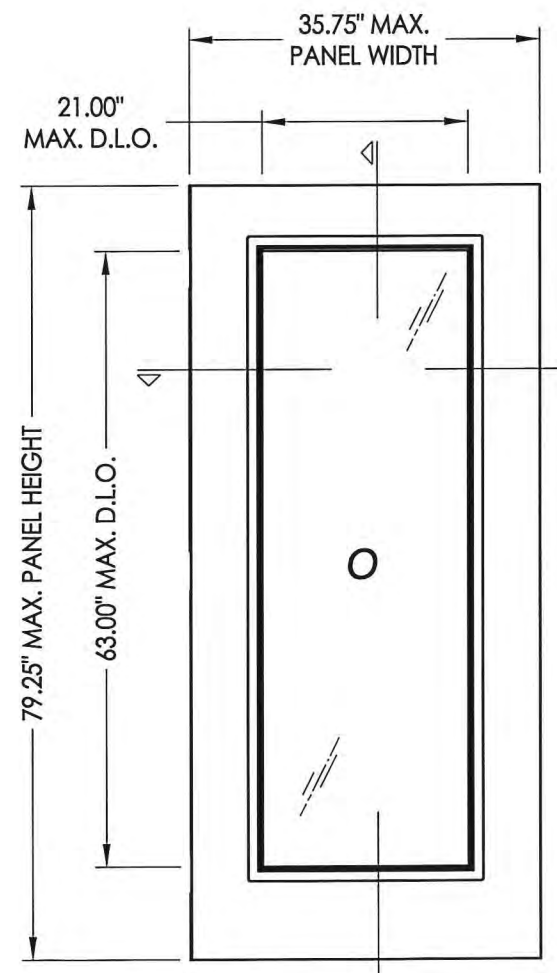
RW BUILDING CONSULTANTS, INC.
 P.O. Box 230, Valrico, FL 33595
 Phone No.: 813.659.9197
 FBPE C.A. No. 9813

PRODUCT:	TRINITY GLASS INT'L	
PART OR ASSEMBLY:	DOOR PANEL DETAILS AND GLAZING DETAILS	
NO.	DATE	BY
1	03/02/15	JK
	UPDATE TO 5TH ED. (2014)	FBC
		BY
		REVISIONS
DATE: 02/27/12		
SCALE: N.T.S.		
DWG. BY: JK		
CHK. BY: LFS		
DRAWING NO.: FL-15255.6		
SHEET 3 OF 17		

R:\Clients\Trinity PERMANENT\Florida Product Approvals\FL-15255C - Drawings\FL-15255\FL-15255.5-8.dwg, 3.2 (2)

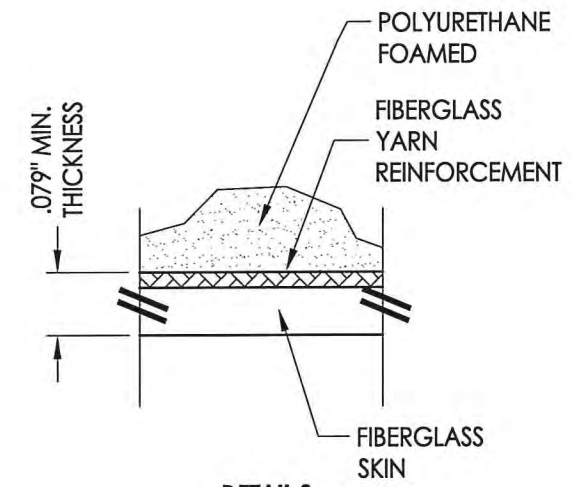


1
3 **HORIZONTAL CROSS SECTION**

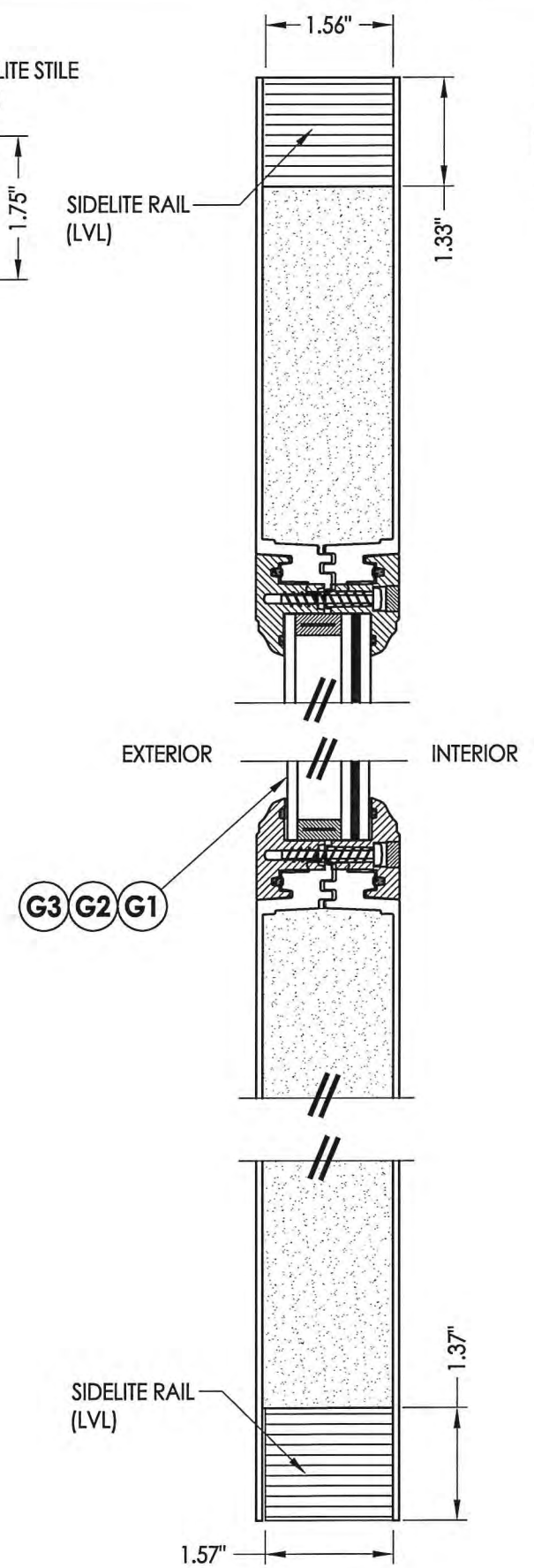


2
3 **60 SIDELITE**

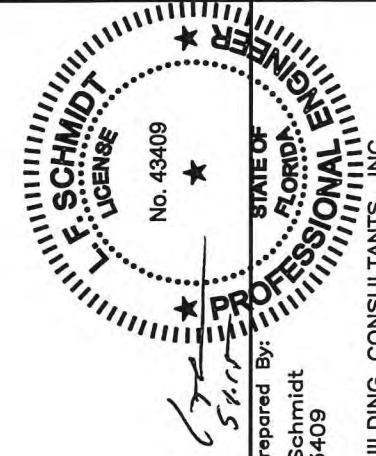
DOOR SKIN: 0.079" MIN. THK. FIBERGLASS
CORE MATERIAL: POLYURETHANE FOAM



DETAIL 2



2
3 **VERTICAL CROSS SECTION**



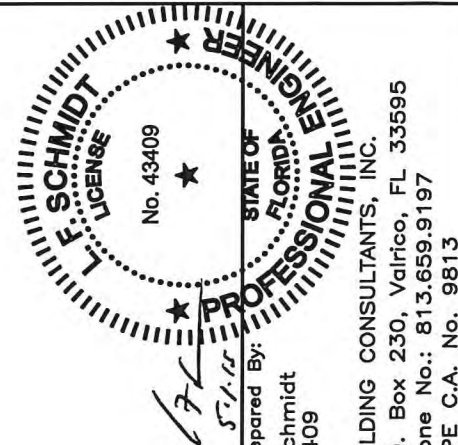
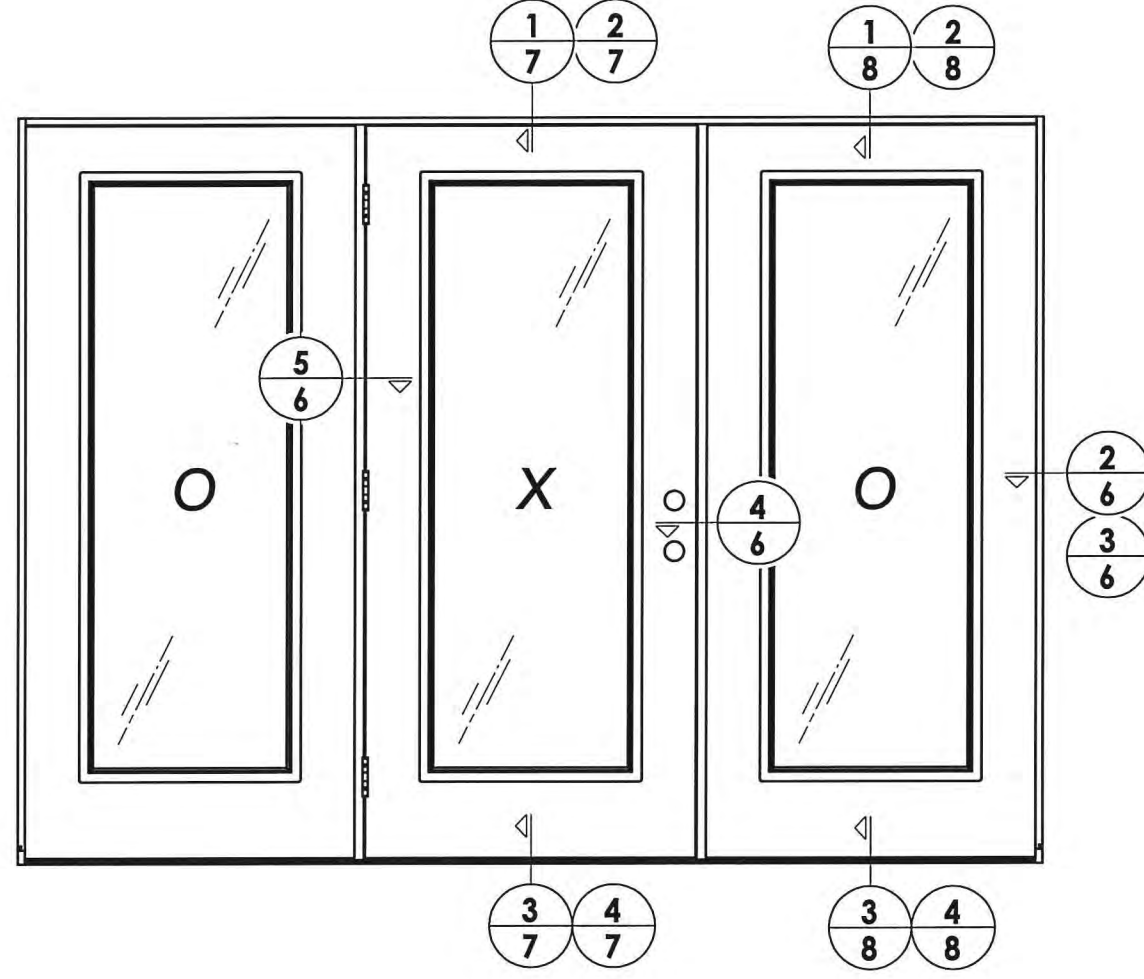
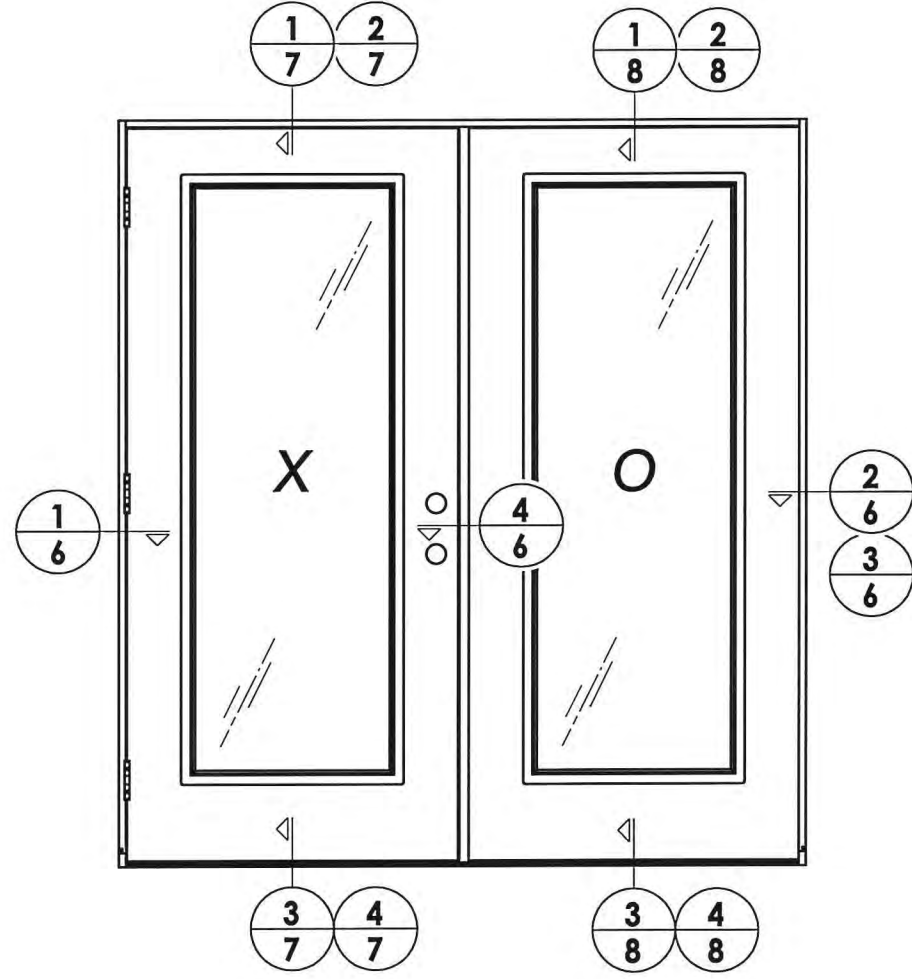
Documents Prepared By:
Lyndon F. Schmidt
P.E. No. 43409

R.W. BUILDING CONSULTANTS, INC.
P.O. Box 230, Valrico, FL 33595
Phone No.: 813.659.9197
FBPE C.A. No. 9813

PRODUCT:	TRINITY GLASS INT'L
PART OR ASSEMBLY:	SIDELITE PANEL DETAILS AND GLAZING DETAILS

NO.	DATE	BY	REVISIONS
1	03/02/15	JK	UPDATE TO 5TH ED. (2014) FBC

DATE:	02/27/12
SCALE:	N.T.S.
DWG. BY:	JK
CHK. BY:	LFS
DRAWING NO.:	FL-15255.6
SHEET	4 OF 17



Documents Prepared By:
 Lyndon F. Schmidt
 P.E. No. 43409

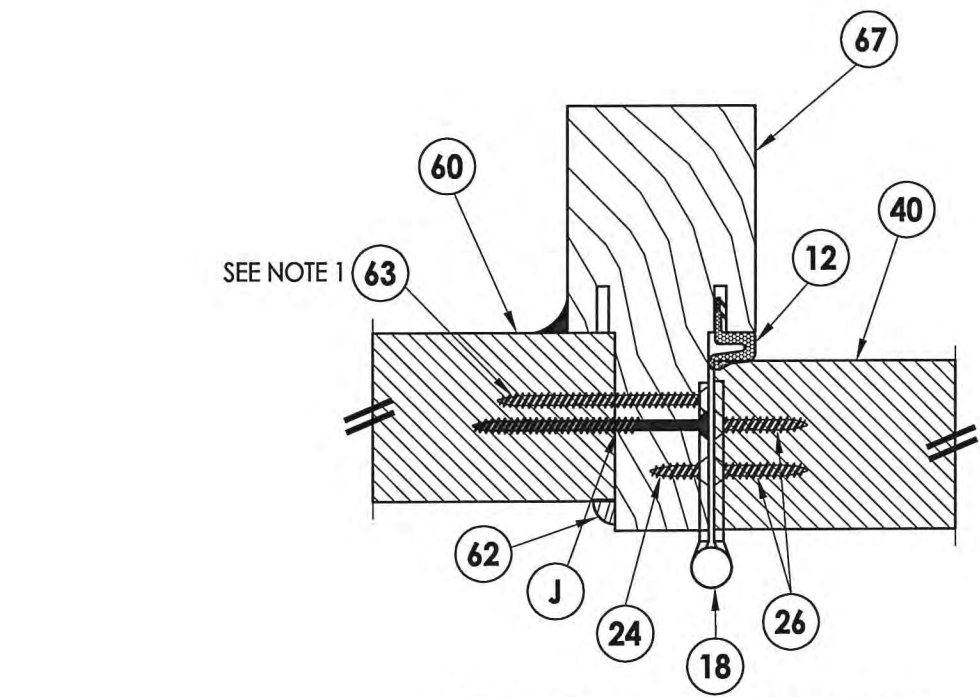
RW BUILDING CONSULTANTS, INC.
 P.O. Box 230, Valrico, FL 33595
 Phone No.: 813.659.9197
 FBPE C.A. No. 9813

PRODUCT: TRINITY GLASS INT'L

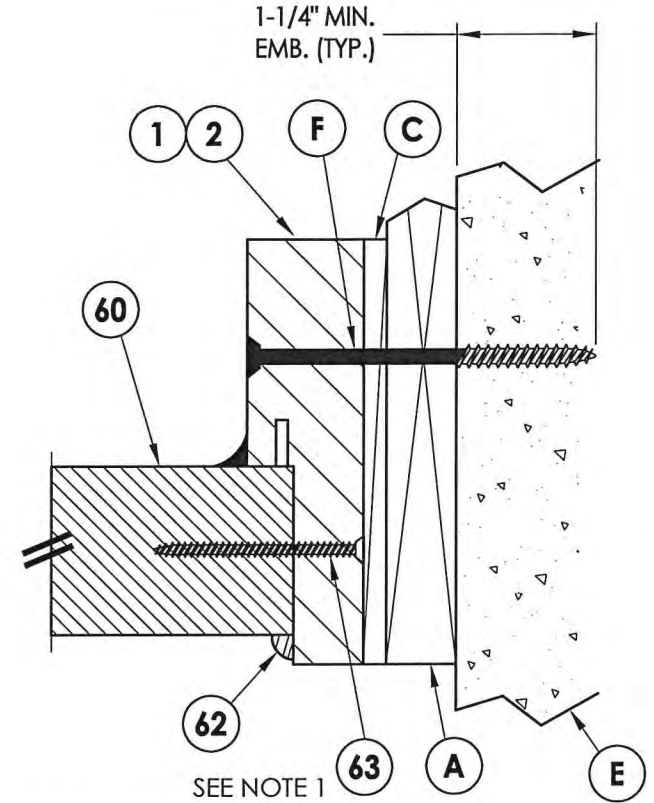
PART OR ASSEMBLY: ELEVATIONS

NO.	DATE	REVISIONS	JK	BY
1	03/02/15	UPDATE TO 5TH ED. (2014)	FBC	

DATE: 02/27/12
 SCALE: N.T.S.
 DWG. BY: JK
 CHK. BY: LFS
 DRAWING NO.: FL-15255.6
 SHEET 5 OF 17

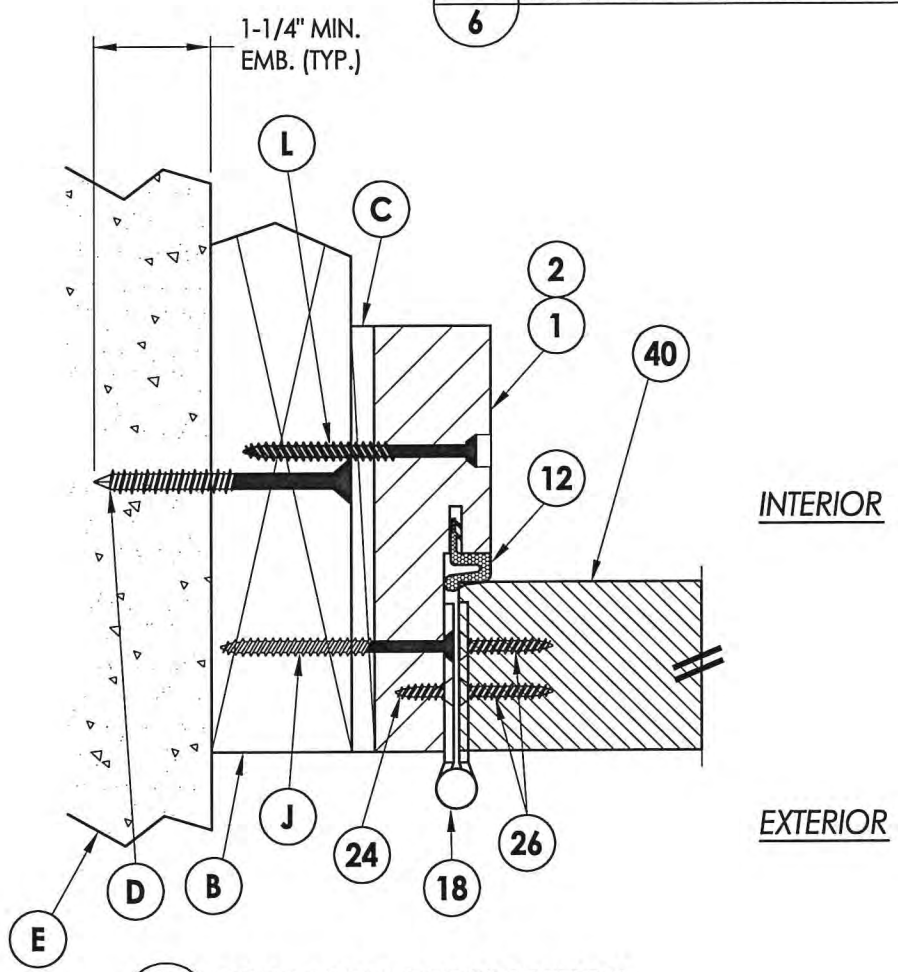


4 HORIZONTAL CROSS SECTION
6

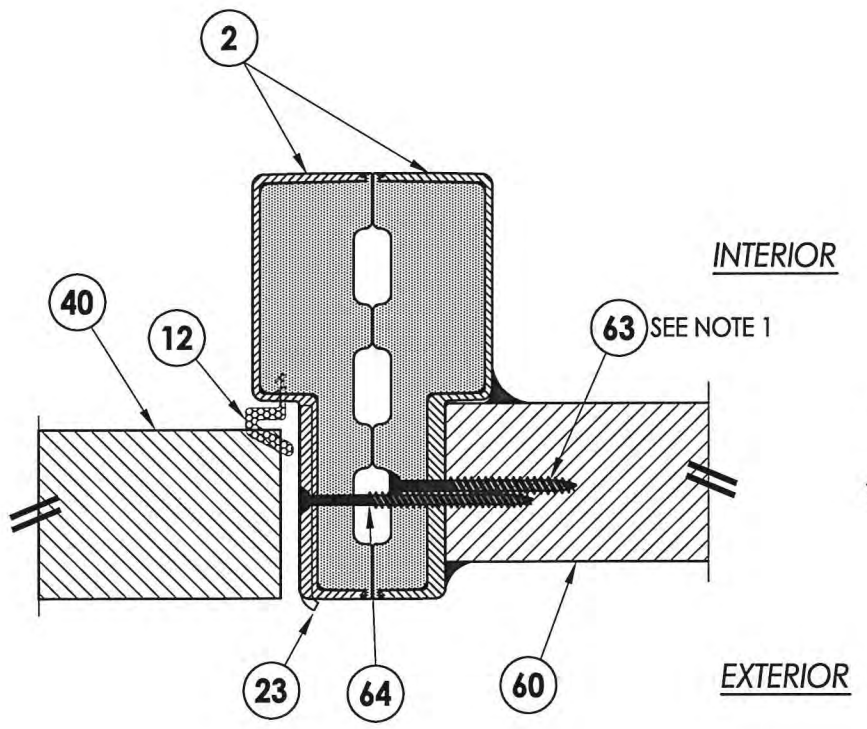


5 HORIZONTAL CROSS SECTION
6 Shown w/1X sub-buck

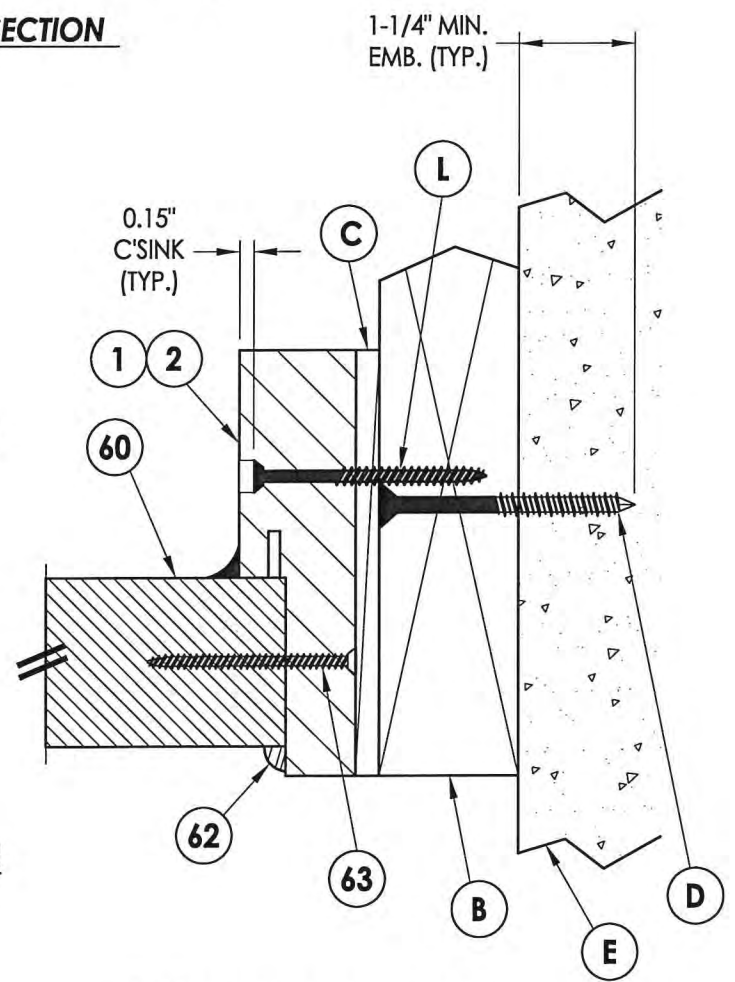
NOTE:
1. Item #63 located 6" from each end and 3 more equally spaced (5 total).



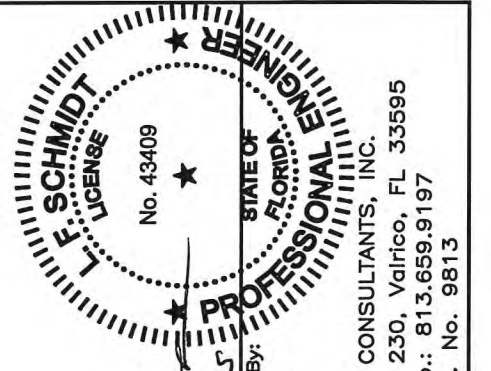
1 HORIZONTAL CROSS SECTION
6



2 HORIZONTAL CROSS SECTION
6



3 HORIZONTAL CROSS SECTION
6



Documents Prepared By:
Lyndon F. Schmidt
P.E. No. 43409

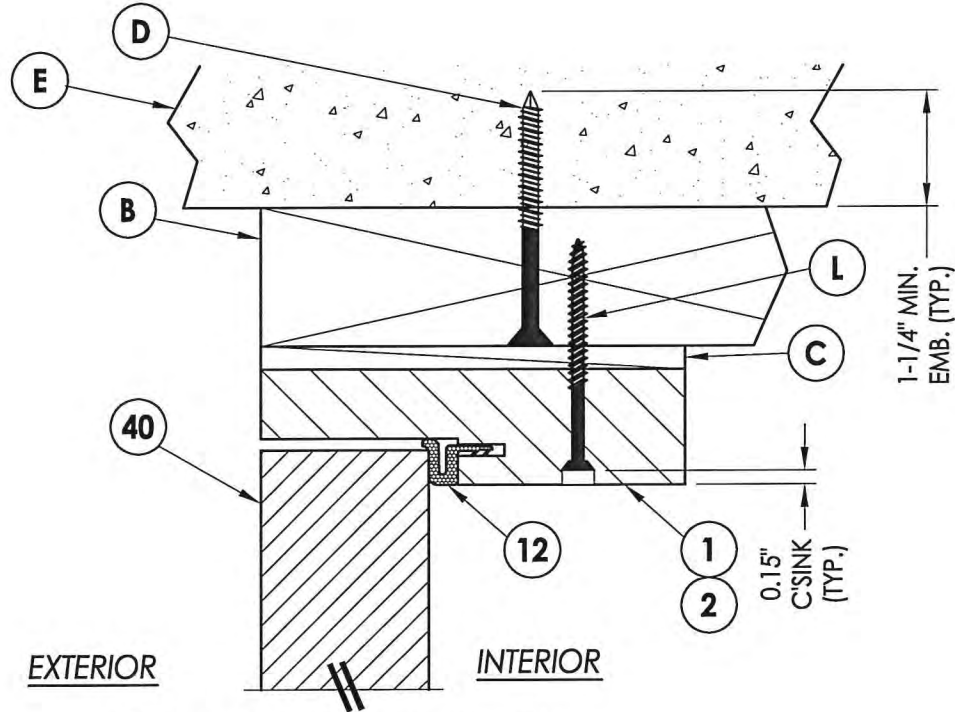
RW BUILDING CONSULTANTS, INC.
P.O. Box 230, Valrico, FL 33595
Phone No.: 813.659.9197
FBPE C.A. No. 9813

PRODUCT:	TRINITY GLASS INT'L
PART OR ASSEMBLY:	HORIZONTAL CROSS SECTIONS

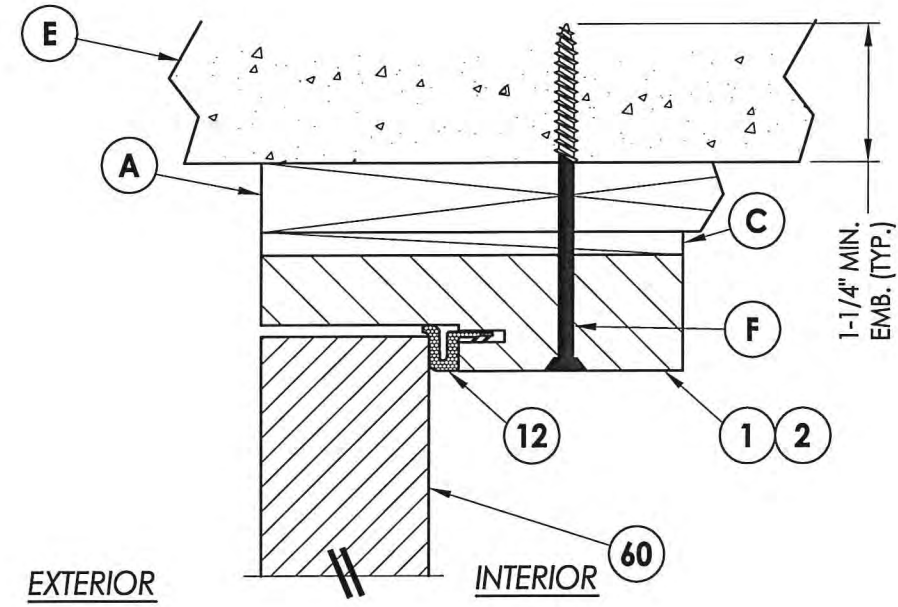
NO.	DATE	BY
1	03/02/15	JK

REVISIONS

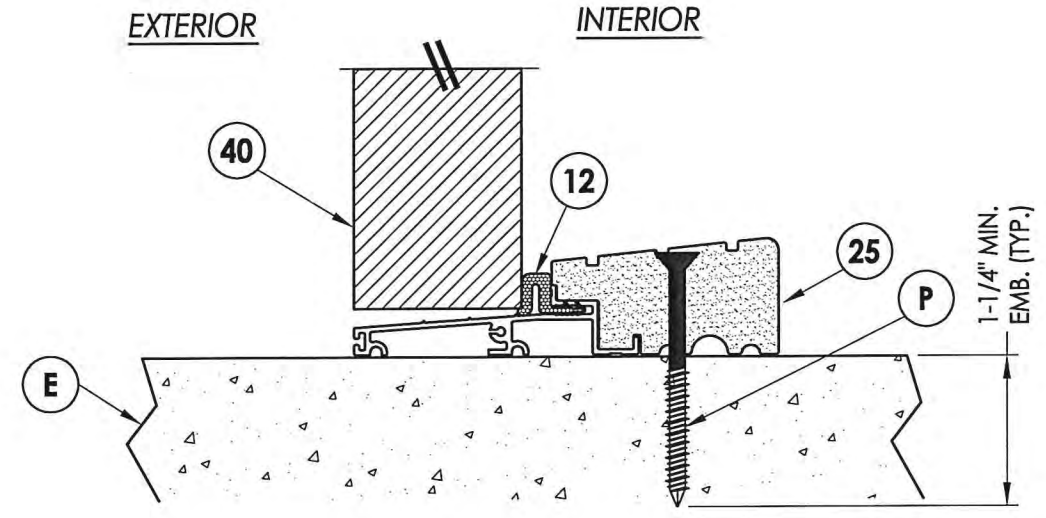
DATE:	02/27/12
SCALE:	N.T.S.
DWG. BY:	JK
CHK. BY:	LFS
DRAWING NO.:	FL-15255.6
SHEET	6 OF 17



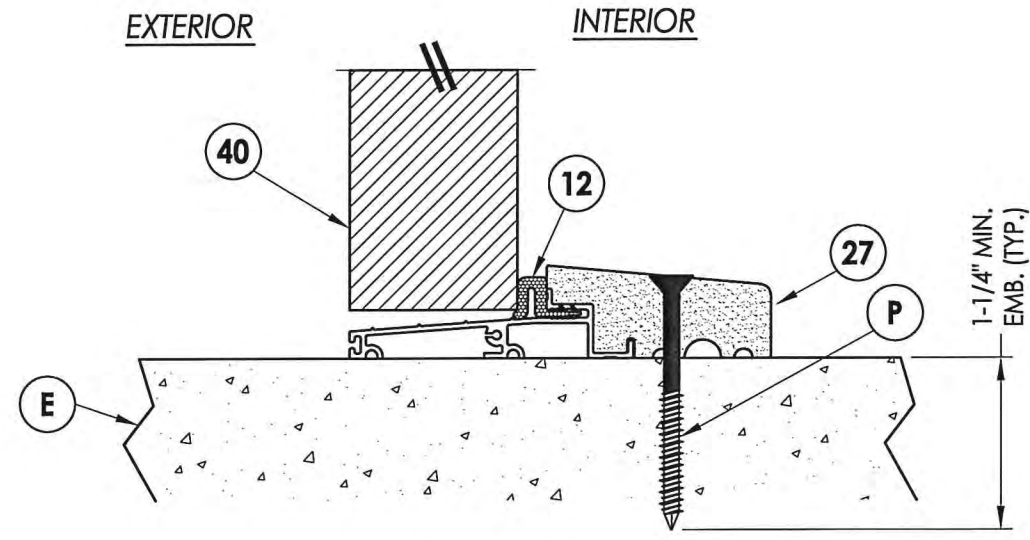
1
7 VERTICAL CROSS SECTION



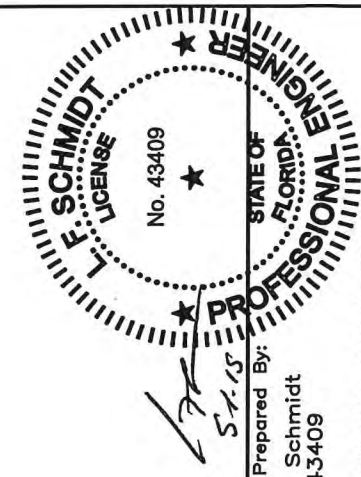
2
7 VERTICAL CROSS SECTION
Shown w/1X sub-buck



3
7 VERTICAL CROSS SECTION



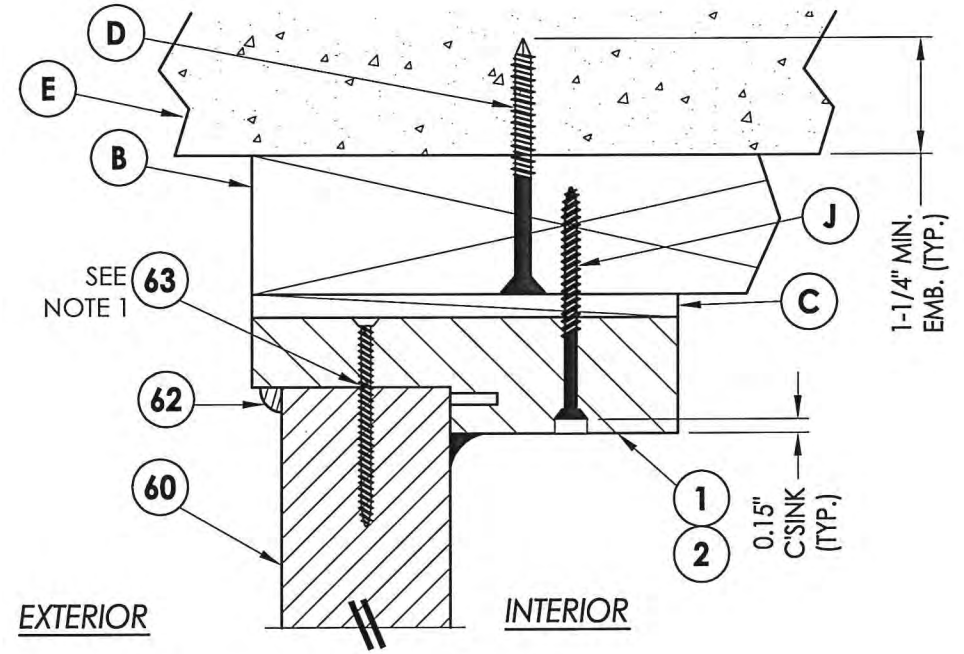
4
7 VERTICAL CROSS SECTION



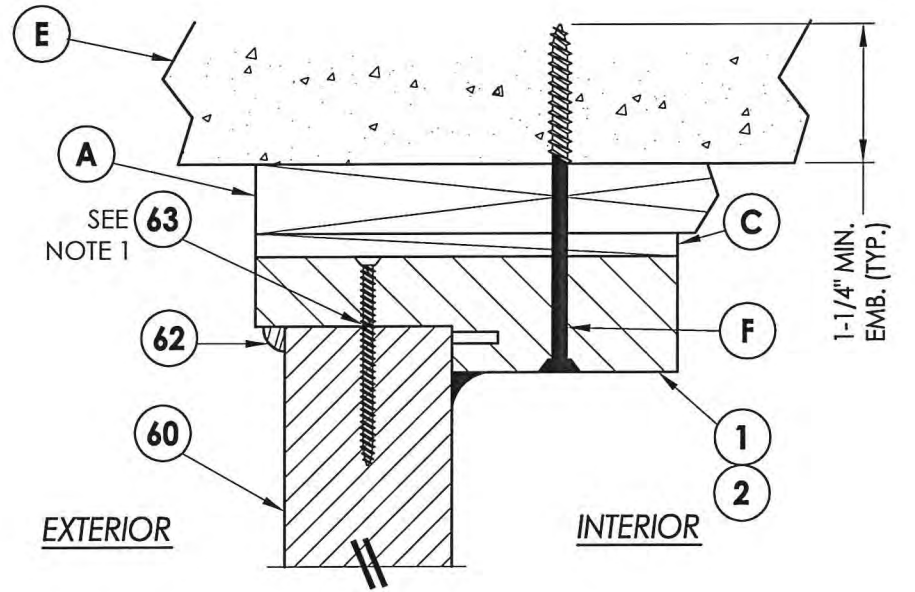
Documents Prepared By:
Lyndon F. Schmidt
P.E. No. 43409

RW BUILDING CONSULTANTS, INC.
P.O. Box 230, Vairico, FL 33595
Phone No.: 813.659.9197
FBPE C.A. No. 9813

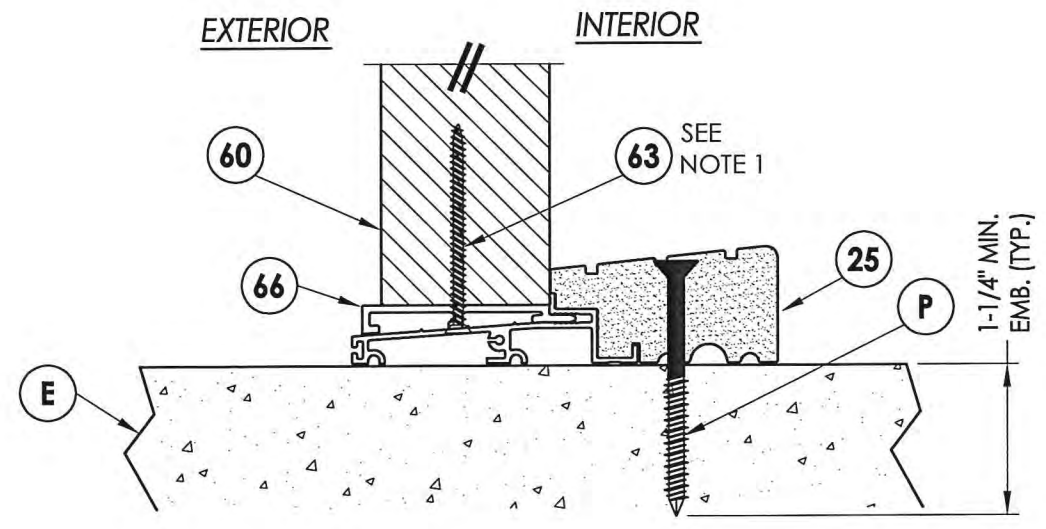
PRODUCT:	TRINITY GLASS INT'L	
PART OR ASSEMBLY:	VERTICAL CROSS SECTIONS	
NO.	DATE	REVISIONS
1	03/02/15	UPDATE TO 5TH ED. (2014) FBC
JK	BY	
DATE: 02/27/12		
SCALE: N.T.S.		
DWG. BY: JK		
CHK. BY: LFS		
DRAWING NO.: FL-15255.6		
SHEET 7 OF 17		



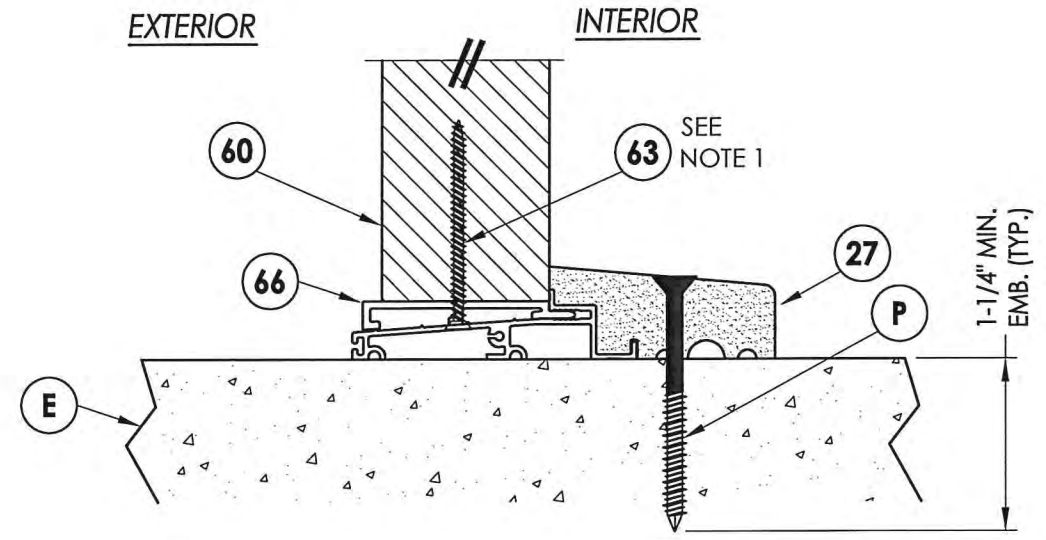
1 VERTICAL CROSS SECTION
8



2 VERTICAL CROSS SECTION
8 Shown w/1X sub-buck

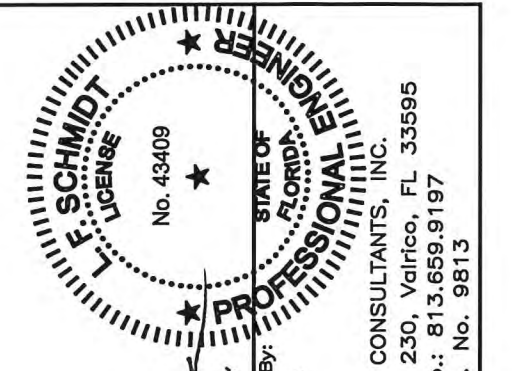


3 VERTICAL CROSS SECTION
8



4 VERTICAL CROSS SECTION
8

NOTE:
1. Screws thru head and sill jamb located 3" from each end and on center line.

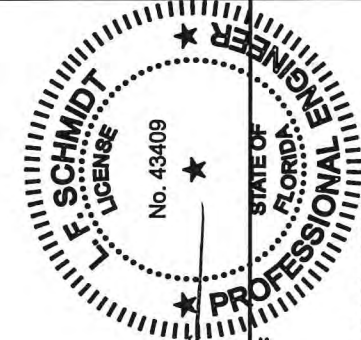
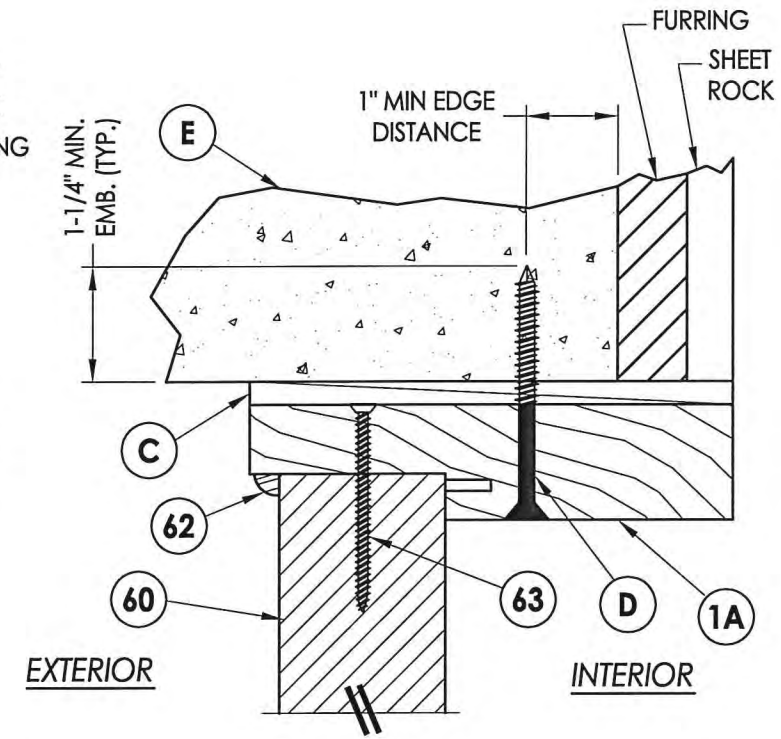
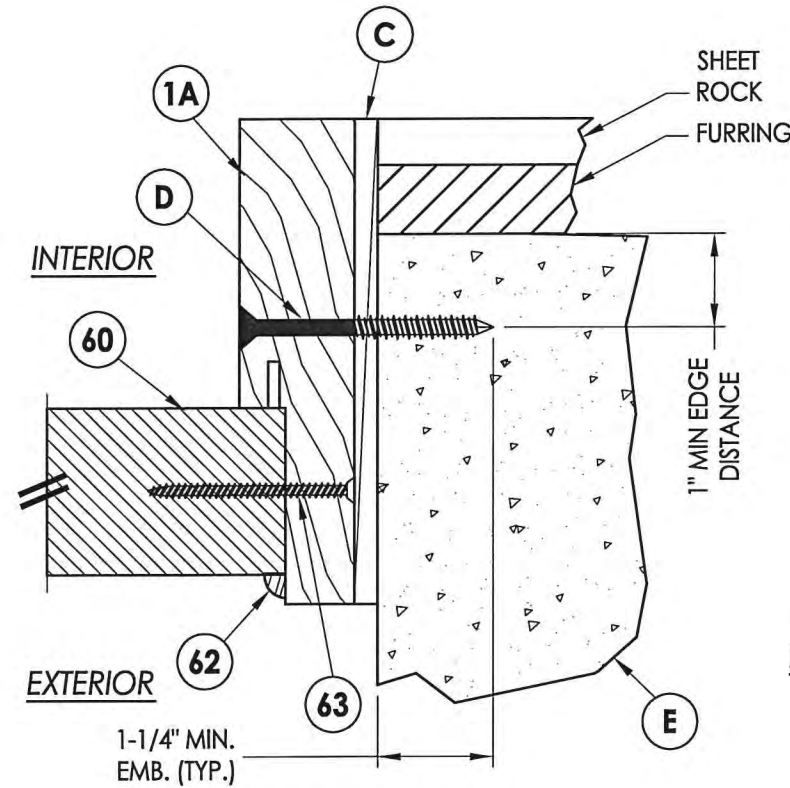
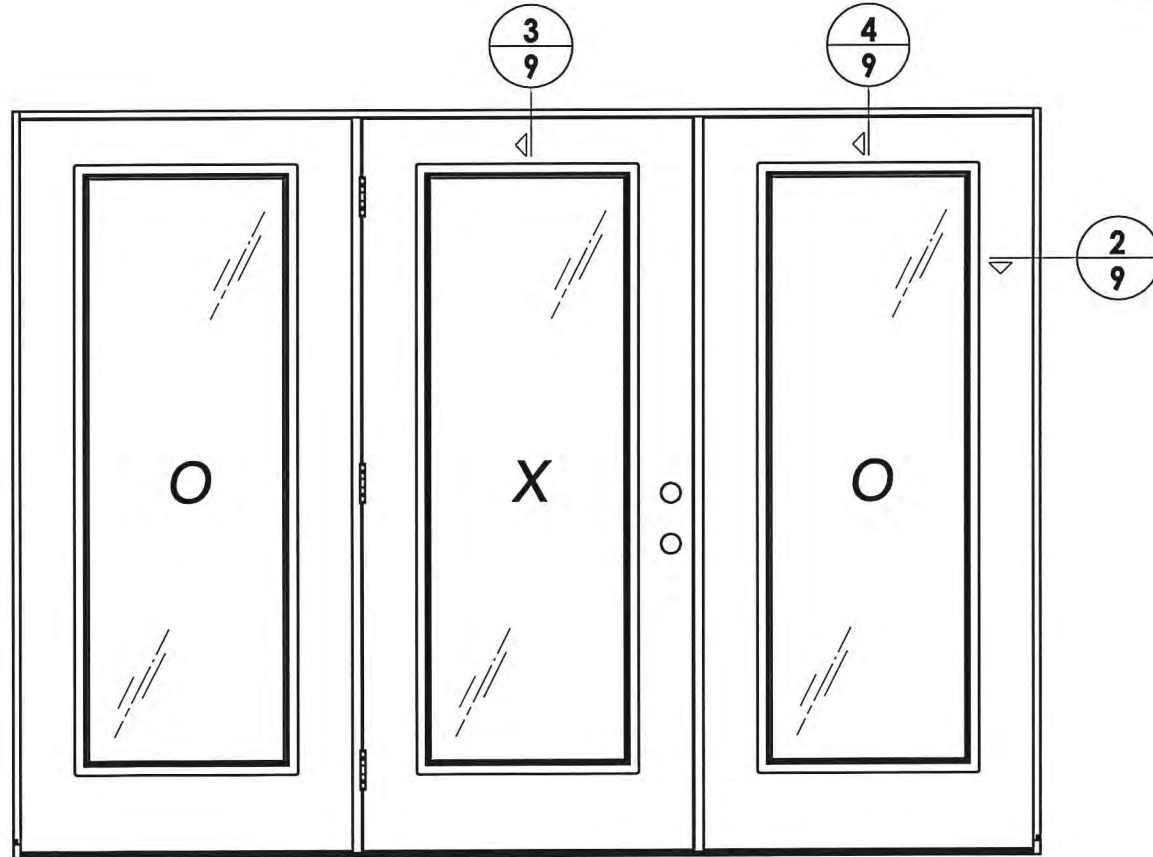
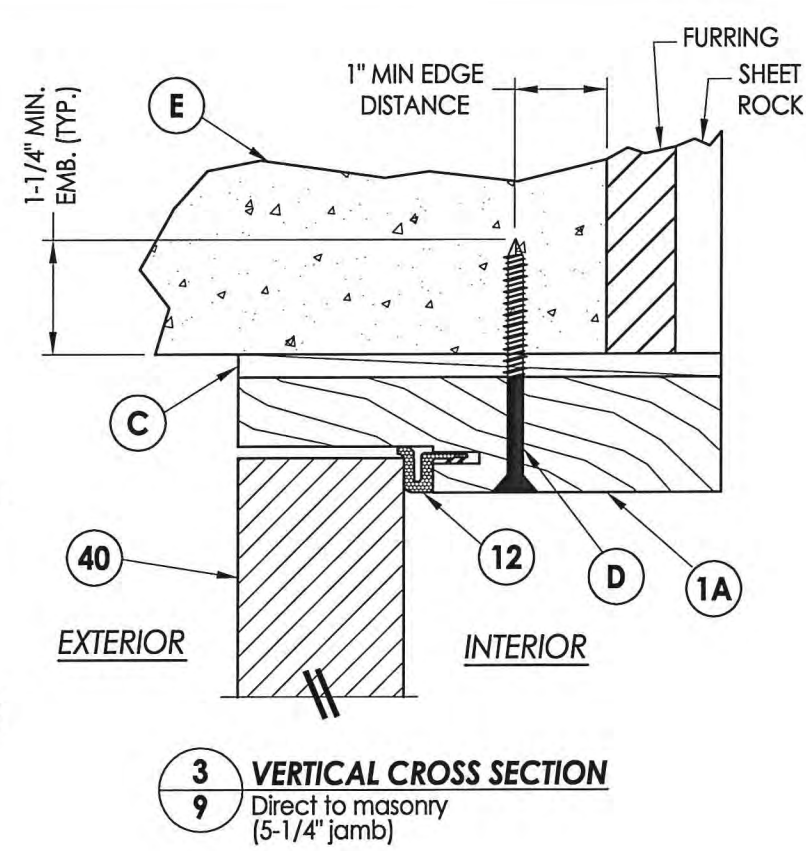
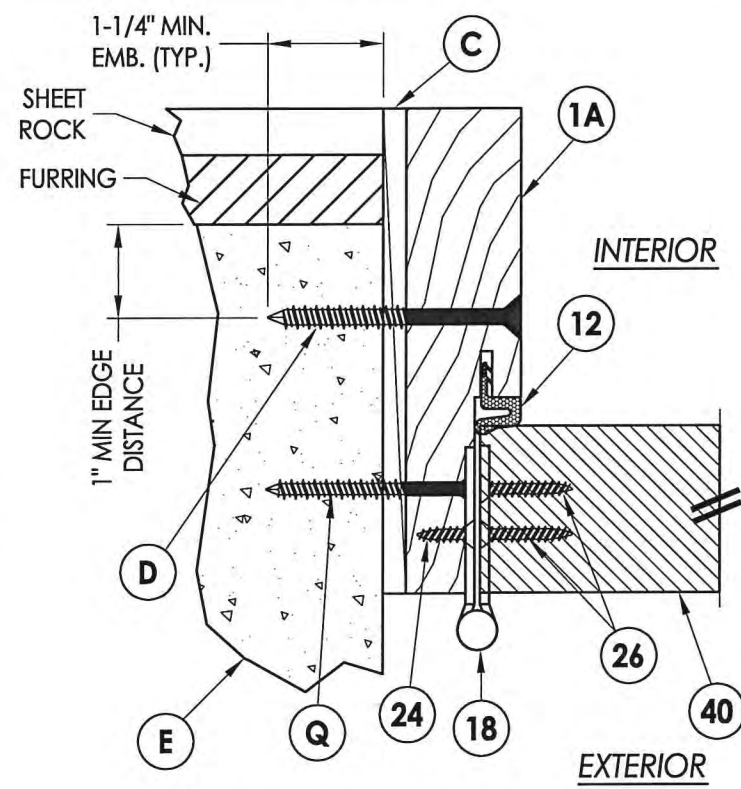
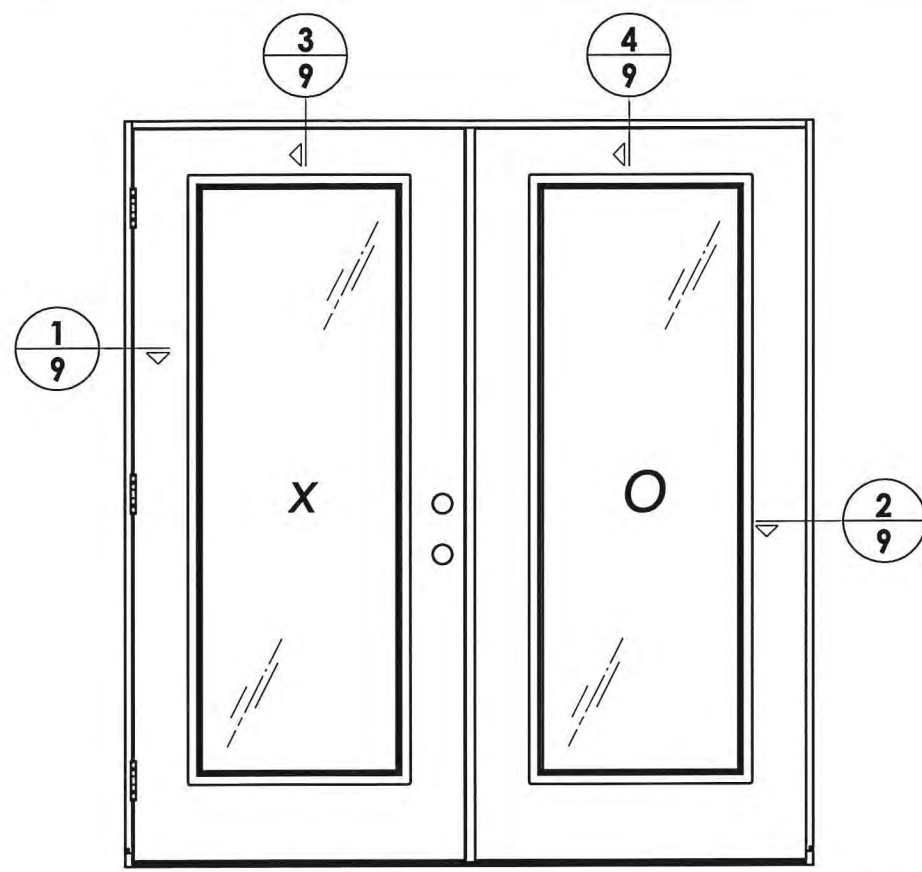


Documents Prepared By:
Lyndon F. Schmidt
P.E. No. 43409
RW
BUILDING CONSULTANTS, INC.
P.O. Box 230, Valrico, FL 33595
Phone No.: 813.659.9197
FBPE C.A. No. 9813

PRODUCT:	TRINITY GLASS INT'L
PART OR ASSEMBLY:	VERTICAL CROSS SECTIONS

NO.	DATE	BY
1	03/02/15	JK
REVISIONS		

DATE:	02/27/12
SCALE:	N.T.S.
DWG. BY:	JK
CHK. BY:	LFS
DRAWING NO.:	FL-15255.6
SHEET	8 OF 17



Documents Prepared By:
Lyndon F. Schmidt
P.E. No. 43409

R.W.
BUILDING CONSULTANTS, INC.
P.O. Box 230, Valrico, FL 33595
Phone No.: 813.659.9197
FBPE C.A. No. 9813

PRODUCT: TRINITY GLASS INT'L

PART OR ASSEMBLY: HORIZONTAL & VERTICAL CROSS SECTIONS

NO.	DATE	BY	REVISIONS
1	03/02/15	JK	UPDATE TO 5TH ED. (2014) FBC

DATE: 02/27/12

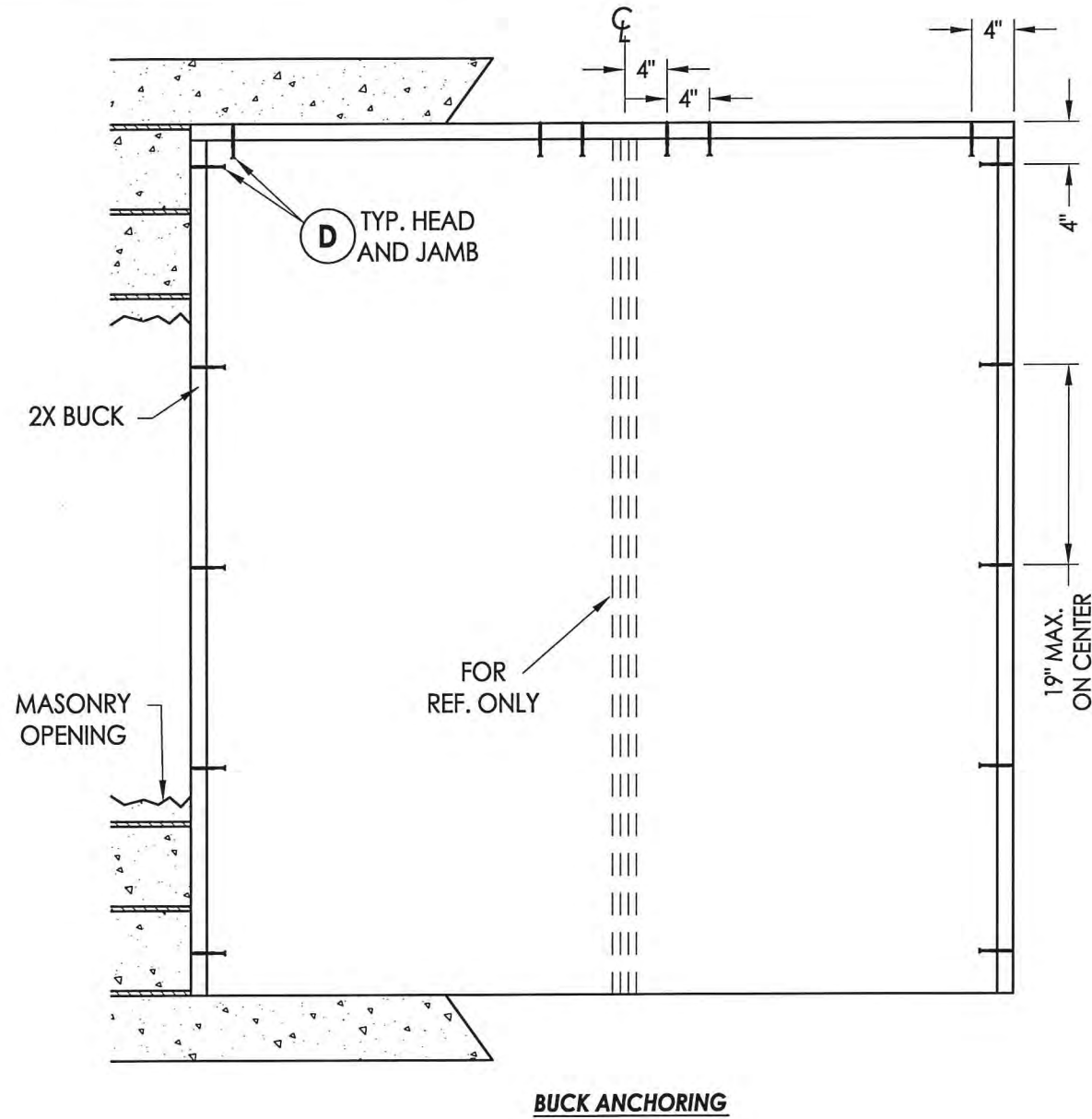
SCALE: N.T.S.

DWG. BY: JK

CHK. BY: LFS

DRAWING NO.: FL-15255.6

SHEET 9 OF 17

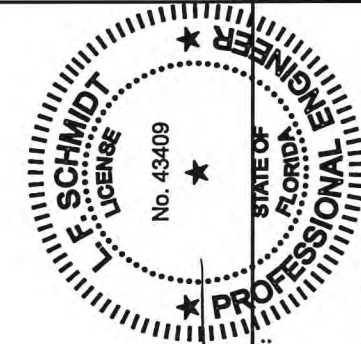


BUCK ANCHORING

CONCRETE ANCHOR NOTES:

1. Concrete anchor locations at the corners may be adjusted to maintain the min. edge distance to mortar joints.
2. Concrete anchor locations noted as "MAX. ON CENTER" must be adjusted to maintain the min. edge distance to mortar joints, additional concrete anchors may be required to ensure the "MAX. ON CENTER" dimension are not exceeded.
3. Concrete anchor table:

ANCHOR TYPE	ANCHOR SIZE	MIN. EMBEDMENT	MIN. CLEARANCE TO MASONRY EDGE	MIN. CLEARANCE TO ADJACENT ANCHOR
ITW TAPCON®	1/4"	1-1/4"	2"	4"
ELCO ULTRACON®	1/4"	1-1/4"	1"	4"



Documents Prepared By:
Lyndon F. Schmidt
P.E. No. 43409

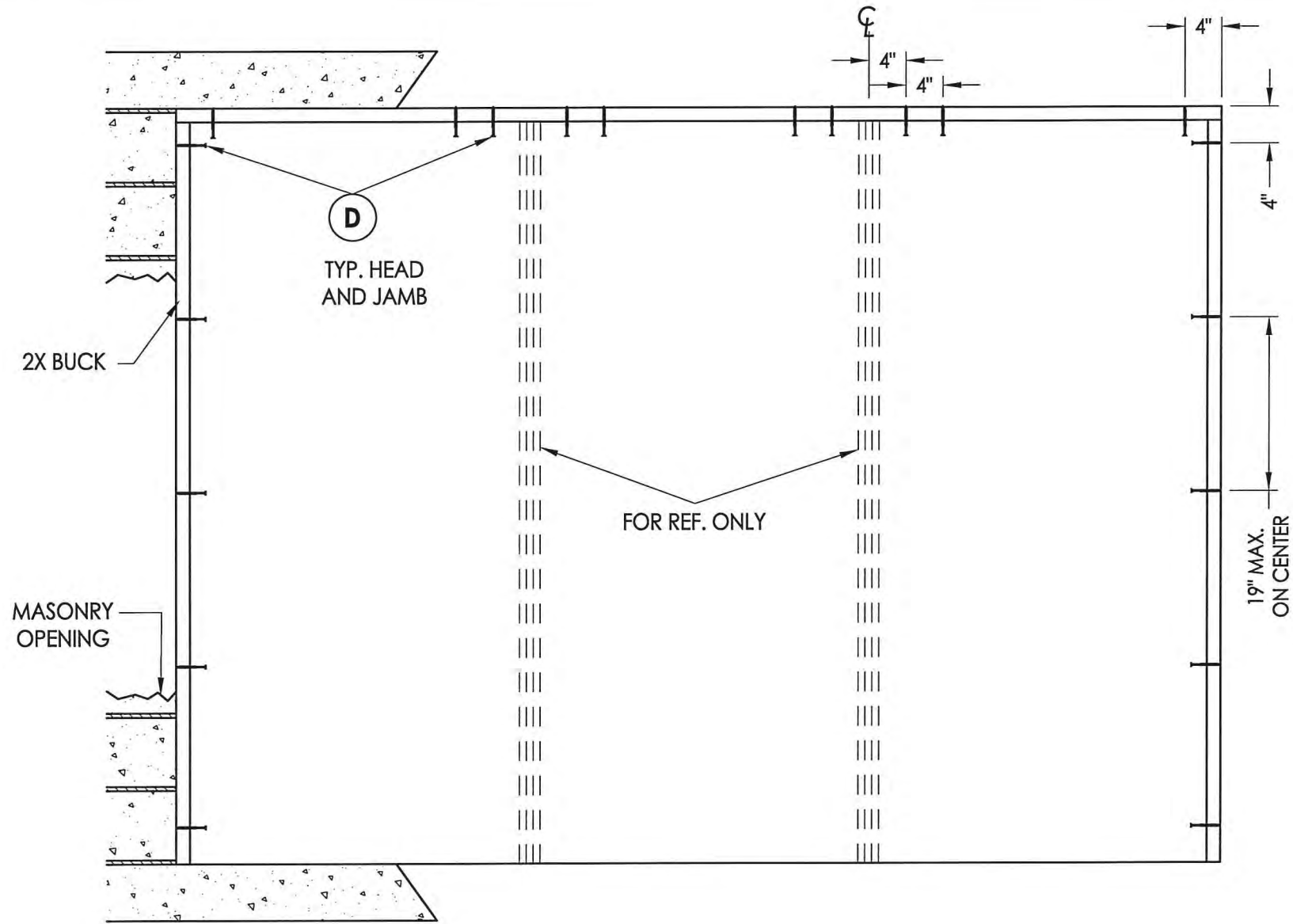
R.W. BUILDING CONSULTANTS, INC.
P.O. Box 230, Valrico, FL 33595
Phone No.: 813.659.9197
FBPE C.A. No. 9813

PRODUCT: TRINITY GLASS INT'L
PART OR ASSEMBLY: BUCK ANCHORING

NO.	DATE	BY
1	03/02/15	JK

REVISIONS

DATE: 02/27/12
SCALE: N.T.S.
DWG. BY: JK
CHK. BY: LFS
DRAWING NO.: FL-15255.6
SHEET 10 of 17

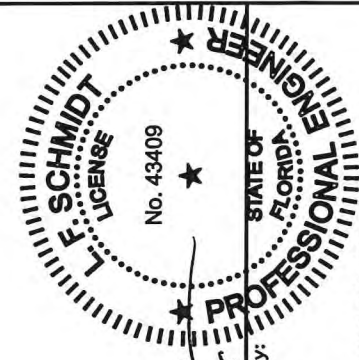


BUCK ANCHORING

CONCRETE ANCHOR NOTES:

1. Concrete anchor locations at the corners may be adjusted to maintain the min. edge distance to mortar joints.
2. Concrete anchor locations noted as "MAX. ON CENTER" must be adjusted to maintain the min. edge distance to mortar joints, additional concrete anchors may be required to ensure the "MAX. ON CENTER" dimension are not exceeded.
3. Concrete anchor table:

ANCHOR TYPE	ANCHOR SIZE	MIN. EMBEDMENT	MIN. CLEARANCE TO MASONRY EDGE	MIN. CLEARANCE TO ADJACENT ANCHOR
ITW TAPCON®	1/4"	1-1/4"	2"	4"
ELCO ULTRACON®	1/4"	1-1/4"	1"	4"



Documents Prepared By:
Lyndon F. Schmidt
P.E. No. 43409

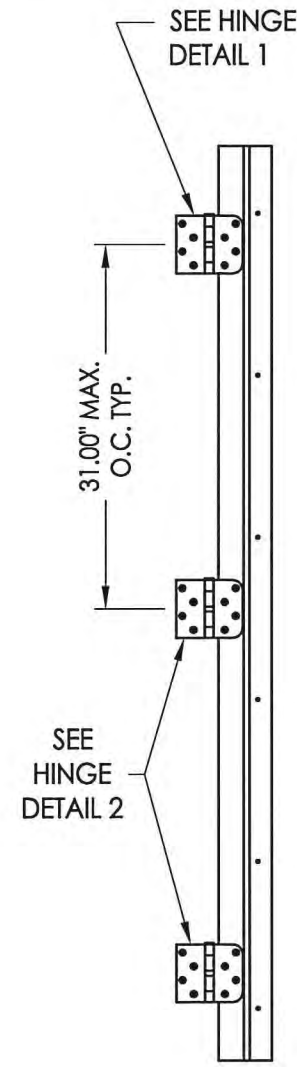
RW BUILDING CONSULTANTS, INC.
P.O. Box 230, Valrico, FL 33595
Phone No.: 813.659.9197
FBPE C.A. No. 9813

PRODUCT: TRINITY GLASS INT'L
PART OR ASSEMBLY: BUCK ANCHORING

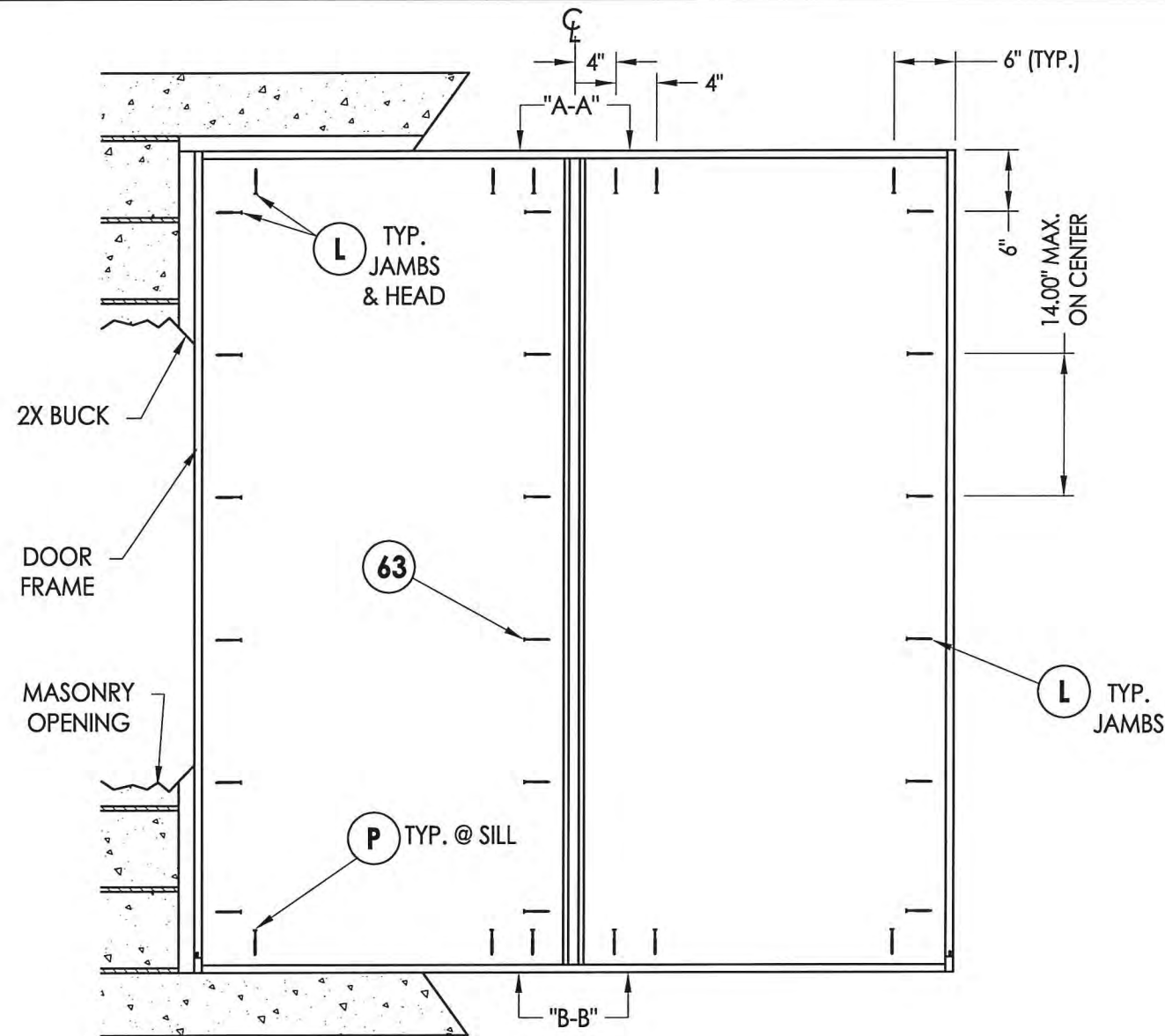
NO.	DATE	BY
1	10/3/02/15	JK
	UPDATE TO 5TH ED. (2014) FBC	

DATE: 02/27/12
SCALE: N.T.S.
DWG. BY: JK
CHK. BY: LFS
DRAWING NO.: FL-15255.6
SHEET 11 OF 17

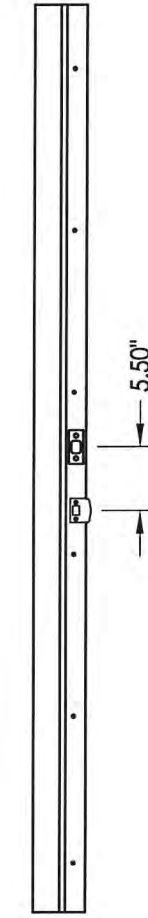
R:\Clients\Trinity PERMANENT\Florida Product Approvals\FL-15255\C - Drawings\FL-15255\FL-15255.5-8.dwg, 10.2



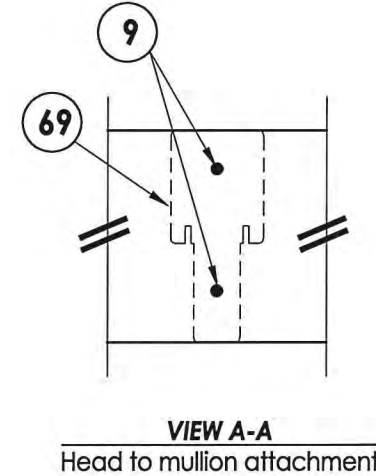
HINGE JAMB



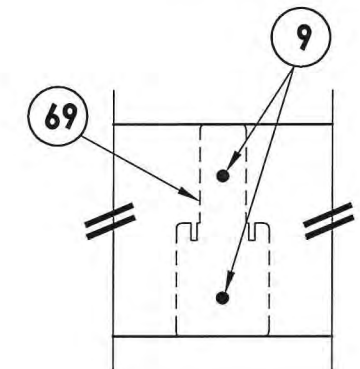
FRAME ANCHORING
Masonry 2X buck construction



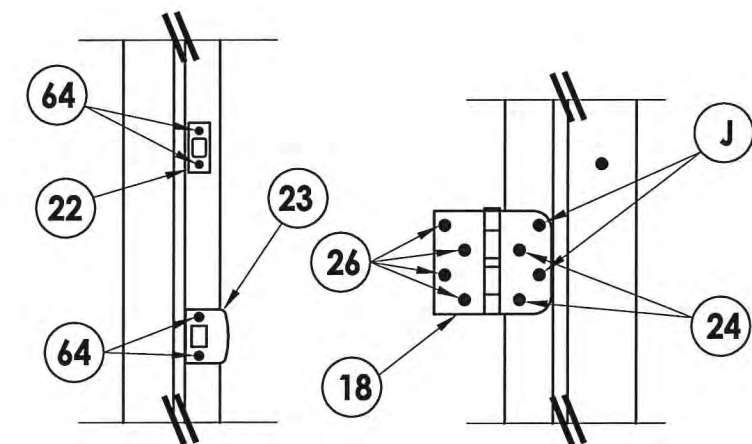
STRIKE JAMB



VIEW A-A
Head to mullion attachment

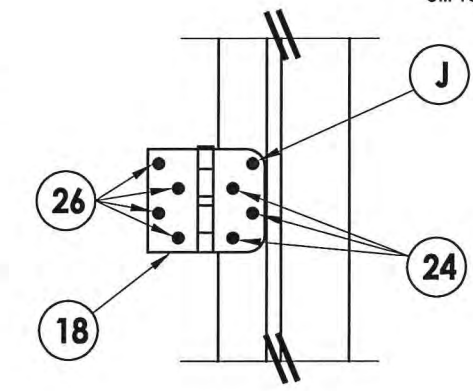


VIEW B-B
Sill to mullion attachment



STRIKE PLATE DETAIL

HINGE DETAIL 1



HINGE DETAIL 2

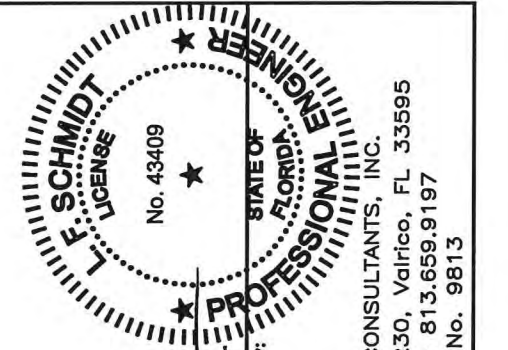
CONCRETE ANCHOR NOTES:

1. Concrete anchor locations at the corners may be adjusted to maintain the min. edge distance to mortar joints.
2. Concrete anchor locations noted as "MAX. ON CENTER" must be adjusted to maintain the min. edge distance to mortar joints, additional concrete anchors may be required to ensure the "MAX. ON CENTER" dimension are not exceeded.
3. Concrete anchor table:

ANCHOR TYPE	ANCHOR SIZE	MIN. EMBEDMENT	MIN. CLEARANCE TO MASONRY EDGE	MIN. CLEARANCE TO ADJACENT ANCHOR
ITW TAPCON®	1/4"	1-1/4"	2"	4"
ELCO ULTRACON®	1/4"	1-1/4"	1"	4"

WOOD SCREW INSTALLATION NOTES:

1. Maintain a minimum 5/8" edge distance, 1" end distance, & 1" o.c. spacing of wood screws to prevent the splitting of wood.



Documents Prepared By:
Lyndon F. Schmidt
P.E. No. 43409

RW BUILDING CONSULTANTS, INC.
P.O. Box 230, Valrico, FL 33595
Phone No.: 813.659.9197
FBPE C.A. No. 9813

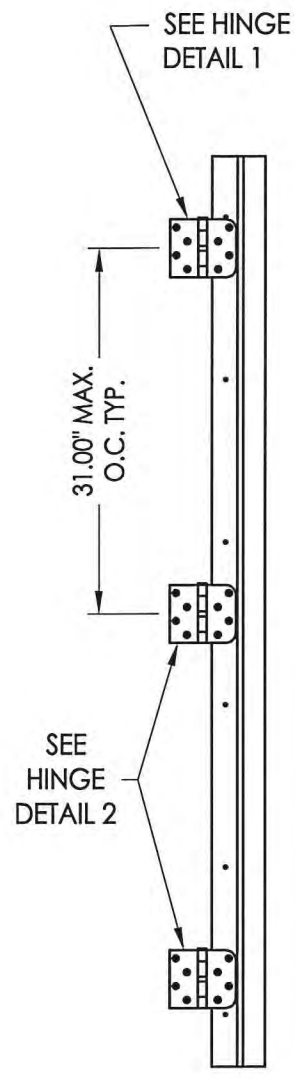
PRODUCT: TRINITY GLASS INT'L

PART OR ASSEMBLY:
FRAME ANCHORING
2X BUCK MASONRY CONSTRUCTION

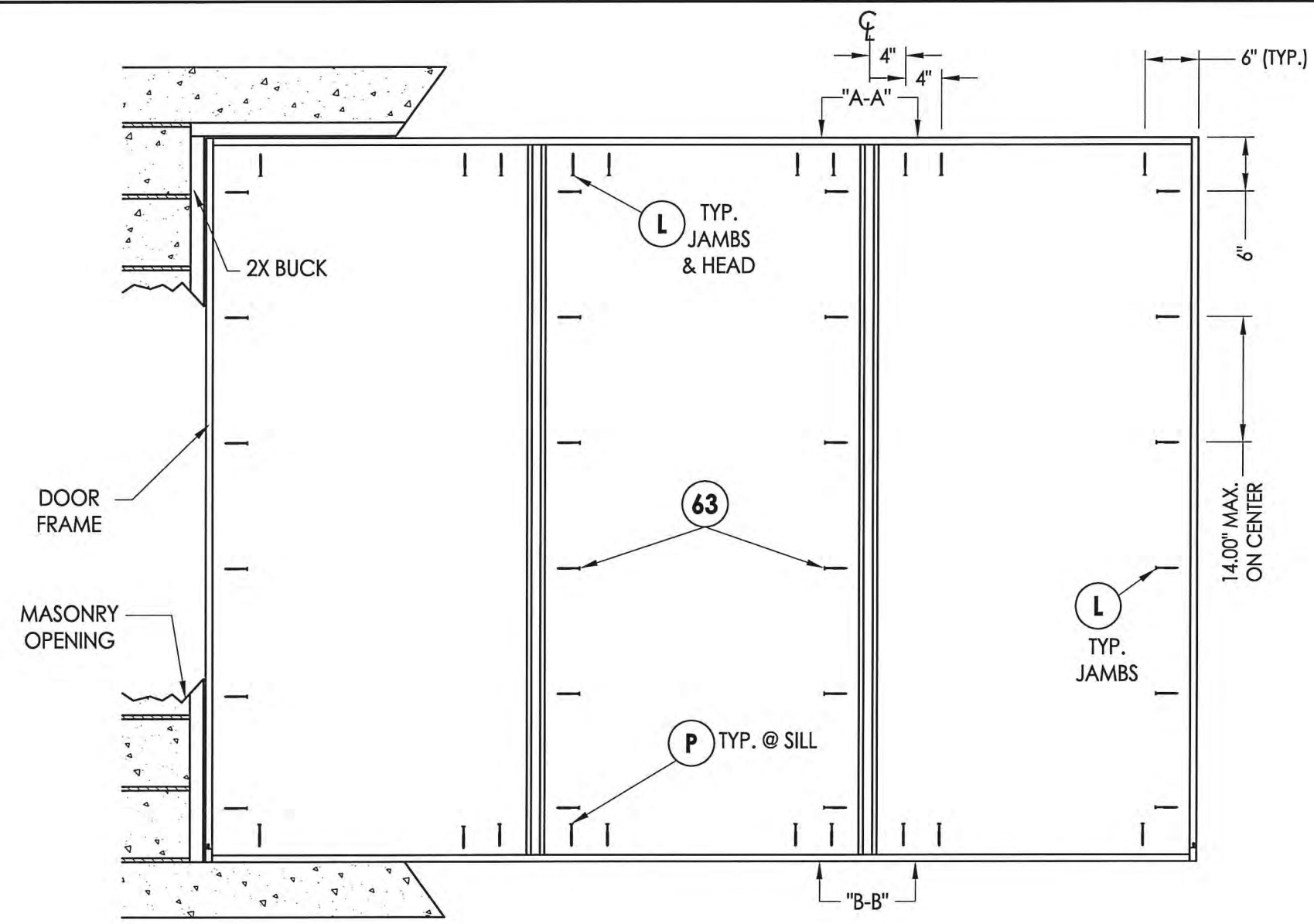
NO.	DATE	REVISIONS
1	03/02/15	UPDATE TO 5TH ED. (2014) FBC
		JK BY

DATE: 02/27/12
SCALE: N.T.S.
DWG. BY: JK
CHK. BY: LFS
DRAWING NO.: FL-15255.6
SHEET 12 OF 17

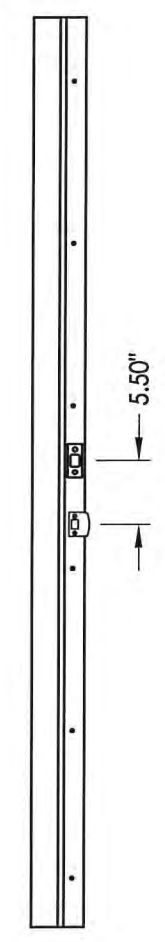
R:\Clients\Trinity PERMANENT\Florida Product Approvals\FL-15255\C - Drawings\FL-15255\FL-15255.5-8.dwg, 11.2



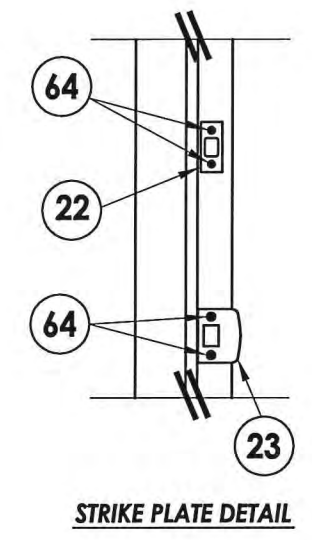
HINGE JAMB



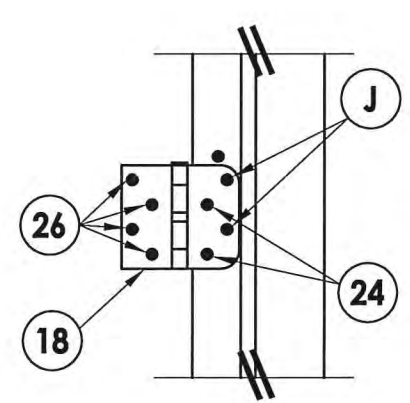
FRAME ANCHORING
Masonry 2X buck construction



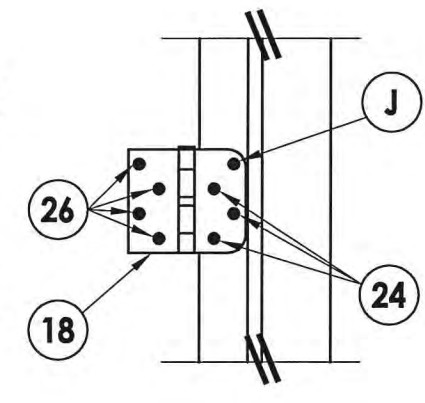
STRIKE JAMB



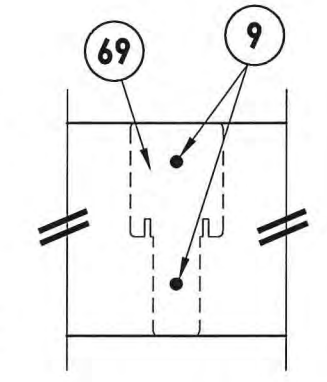
STRIKE PLATE DETAIL



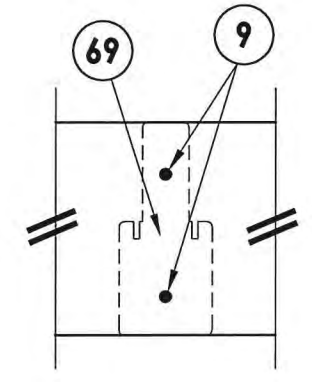
HINGE DETAIL 1



HINGE DETAIL 2



VIEW A-A
Head to mullion attachment



VIEW B-B
Sill to mullion attachment

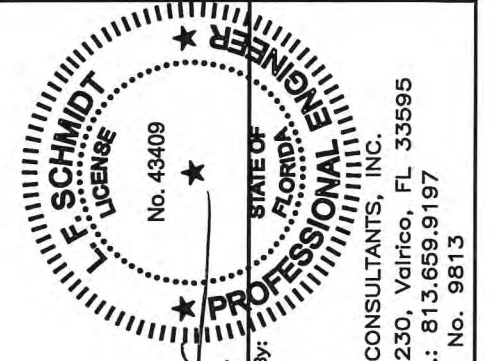
CONCRETE ANCHOR NOTES:

- Concrete anchor locations at the corners may be adjusted to maintain the min. edge distance to mortar joints.
- Concrete anchor locations noted as "MAX. ON CENTER" must be adjusted to maintain the min. edge distance to mortar joints, additional concrete anchors may be required to ensure the "MAX. ON CENTER" dimension are not exceeded.
- Concrete anchor table:

ANCHOR TYPE	ANCHOR SIZE	MIN. EMBEDMENT	MIN. CLEARANCE TO MASONRY EDGE	MIN. CLEARANCE TO ADJACENT ANCHOR
ITW TAPCON®	1/4"	1-1/4"	2"	4"
ELCO ULTRACON®	1/4"	1-1/4"	1"	4"

WOOD SCREW INSTALLATION NOTES:

- Maintain a minimum 5/8" edge distance, 1" end distance, & 1" o.c. spacing of wood screws to prevent the splitting of wood.



Documents Prepared By:
Lyndon F. Schmidt
P.E. No. 43409

RW BUILDING CONSULTANTS, INC.
P.O. Box 230, Vairco, FL 33595
Phone No.: 813.659.9197
FBPE C.A. No. 9813

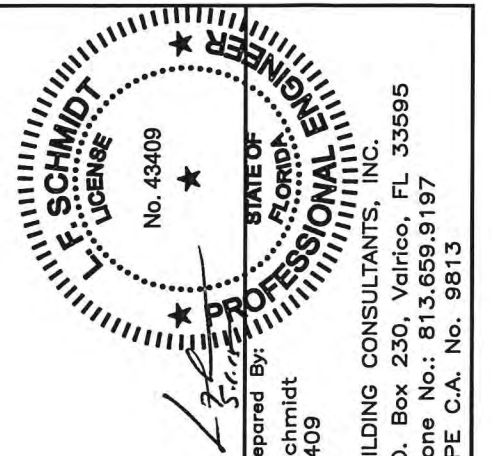
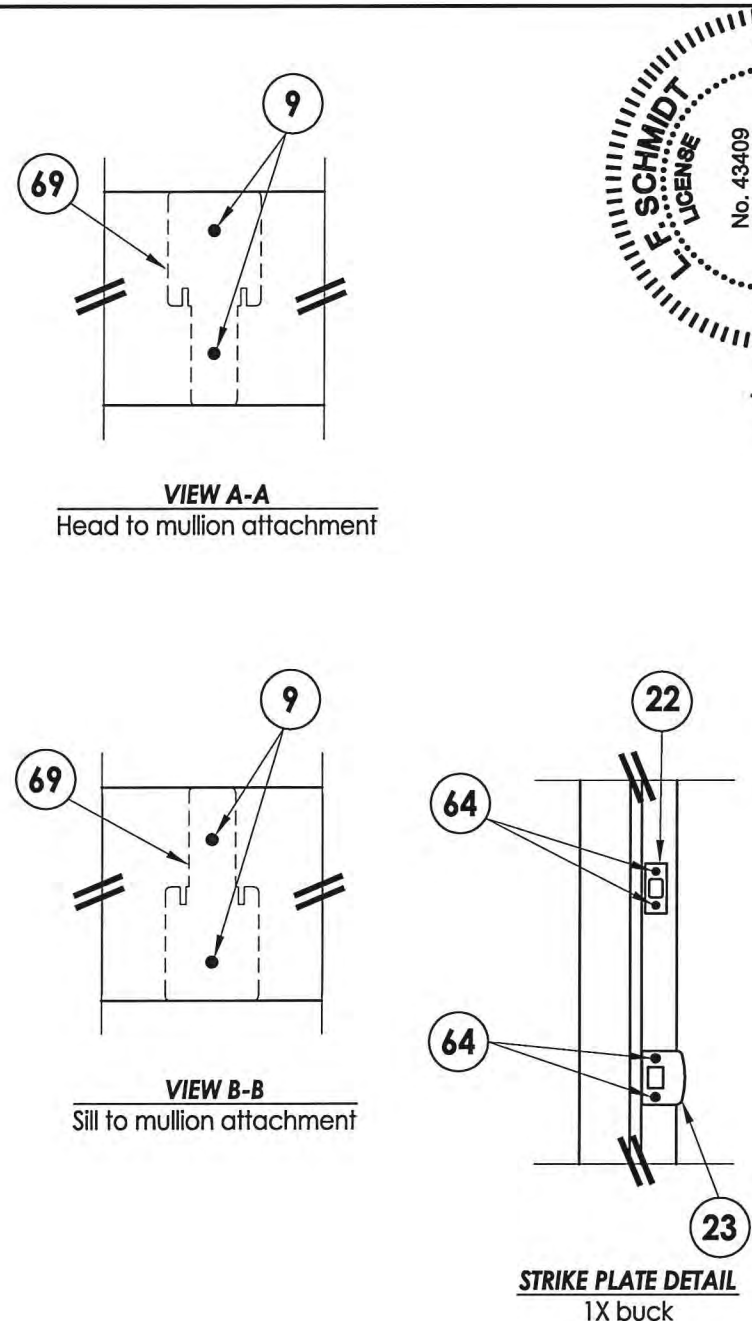
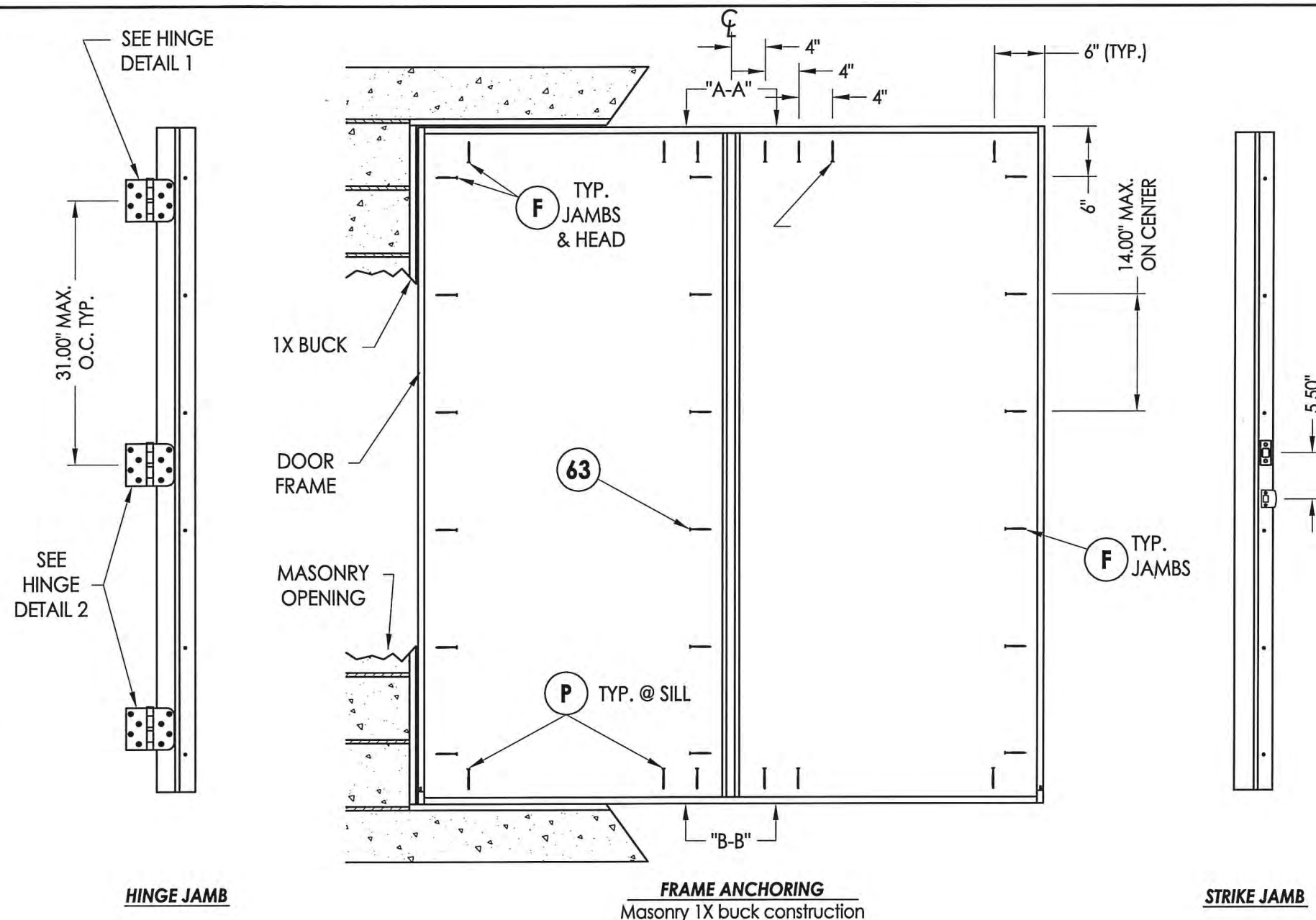
PRODUCT: TRINITY GLASS INT'L

PART OR ASSEMBLY:
FRAME ANCHORING
2X BUCK MASONRY CONSTRUCTION

NO.	DATE	BY	REVISIONS
1	03/02/15	JK	UPDATE TO 5TH ED. (2014) FBC

DATE: 02/27/12
SCALE: N.T.S.
DWG. BY: JK
CHK. BY: LFS
DRAWING NO.: FL-15255.6
SHEET 13 OF 17

R:\Clients\Trinity PERMANENT\Florida Product Approvals\FL-15255\C - Drawings\FL-15255\FL-15255.5-8.dwg, 12.2



Documents Prepared By:
Lyndon F. Schmidt
P.E. No. 43409

RW BUILDING CONSULTANTS, INC.
P.O. Box 230, Vairico, FL 33595
Phone No.: 813.659.9197
FBPE C.A. No. 9813

PRODUCT: TRINITY GLASS INT'L
PART OR ASSEMBLY:
FRAME ANCHORING
1x BUCK MASONRY CONSTRUCTION

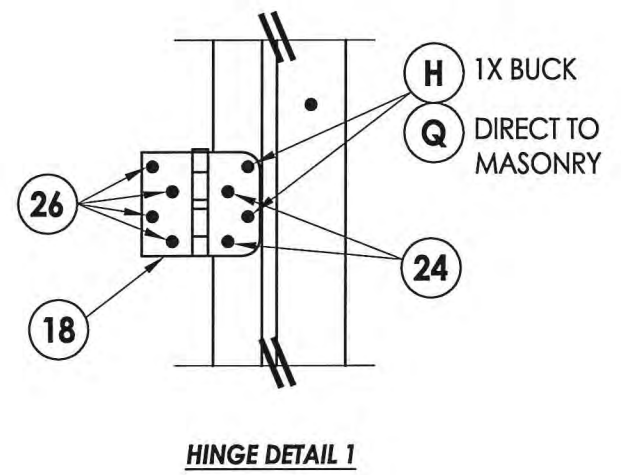
NO.	DATE	BY	REVISIONS
1	03/02/15	JK	UPDATE TO 5TH ED. (2014) FBC

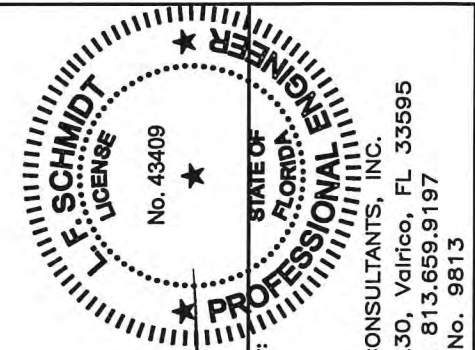
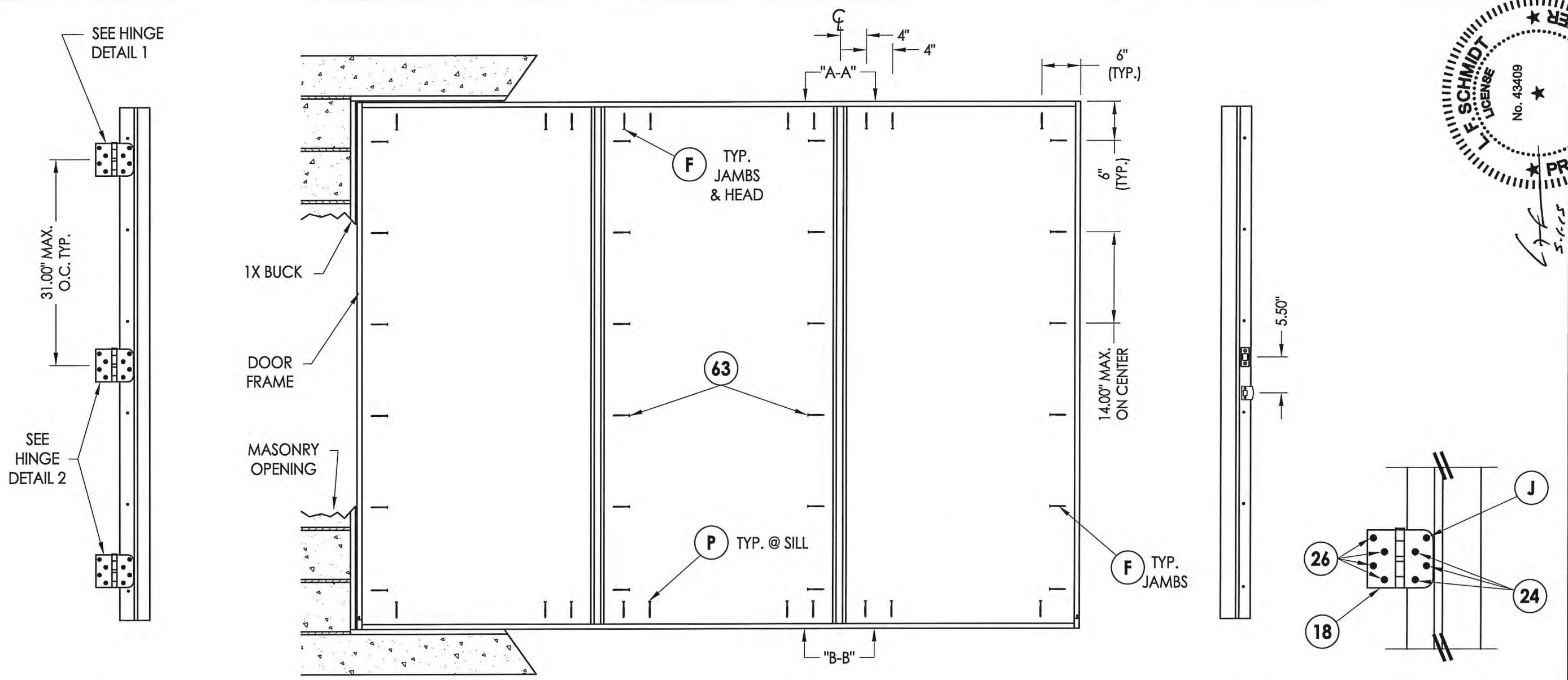
DATE: 02/27/12
SCALE: N.T.S.
DWG. BY: JK
CHK. BY: LFS
DRAWING NO.: FL-15255.6
SHEET 14 OF 17

CONCRETE ANCHOR NOTES:

- Concrete anchor locations at the corners may be adjusted to maintain the min. edge distance to mortar joints.
- Concrete anchor locations noted as "MAX. ON CENTER" must be adjusted to maintain the min. edge distance to mortar joints, additional concrete anchors may be required to ensure the "MAX. ON CENTER" dimension are not exceeded.
- Concrete anchor table:

ANCHOR TYPE	ANCHOR SIZE	MIN. EMBEDMENT	MIN. CLEARANCE TO MASONRY EDGE	MIN. CLEARANCE TO ADJACENT ANCHOR
ITW TAPCON®	1/4"	1-1/4"	2"	4"
ELCO ULTRACON®	1/4"	1-1/4"	1"	4"
ITW TAPCON®	3/16"	1-1/4"	3"	1-1/2"





Documents Prepared By:
 Lyndon F. Schmidt
 P.E. No. 43409

RW BUILDING CONSULTANTS, INC.
 P.O. Box 230, Valrico, FL 33595
 Phone No.: 813.659.9197
 FBPE C.A. No. 9813

HINGE JAMB

FRAME ANCHORING
 Masonry 1X buck construction

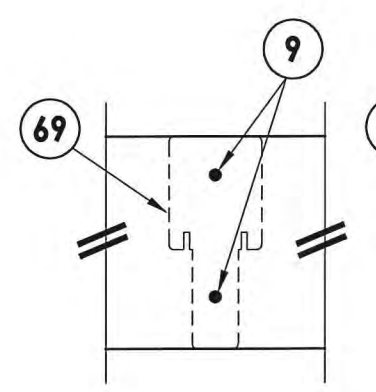
STRIKE JAMB

HINGE DETAIL 2

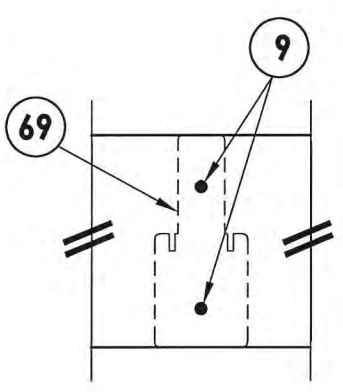
CONCRETE ANCHOR NOTES:

1. Concrete anchor locations at the corners may be adjusted to maintain the min. edge distance to mortar joints.
2. Concrete anchor locations noted as "MAX. ON CENTER" must be adjusted to maintain the min. edge distance to mortar joints, additional concrete anchors may be required to ensure the "MAX. ON CENTER" dimension are not exceeded.
3. Concrete anchor table:

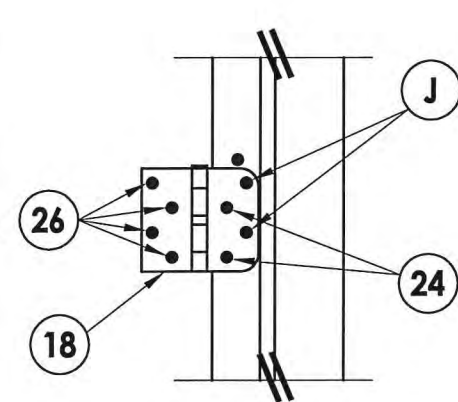
ANCHOR TYPE	ANCHOR SIZE	MIN. EMBEDMENT	MIN. CLEARANCE TO MASONRY EDGE	MIN. CLEARANCE TO ADJACENT ANCHOR
ITW TAPCON®	1/4"	1-1/4"	2"	4"
ELCO ULTRACON®	1/4"	1-1/4"	1"	4"
ITW TAPCON®	3/16"	1-1/4"	3"	1-1/2"



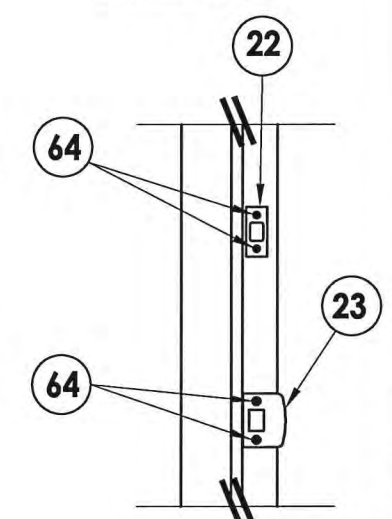
VIEW A-A
 Head to mullion attachment



VIEW B-B
 Sill to mullion attachment



HINGE DETAIL 1



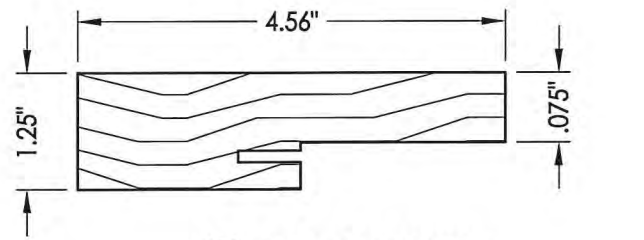
STRIKE PLATE DETAIL
 1X buck

PRODUCT: TRINITY GLASS INT'L

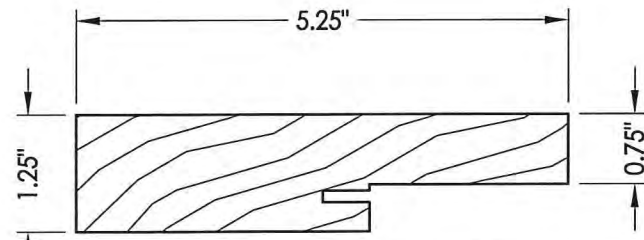
PART OR ASSEMBLY:
 FRAME ANCHORING
 1x BUCK MASONRY CONSTRUCTION

NO.	DATE	BY	REVISIONS
1	03/02/15	JK	UPDATE TO 5TH ED. (2014) FBC

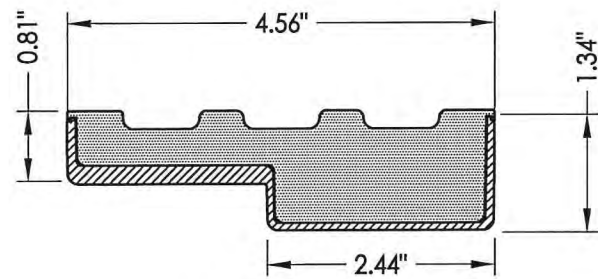
DATE: 02/27/12
 SCALE: N.T.S.
 DWG. BY: JK
 CHK. BY: LFS
 DRAWING NO.: FL-15255.6
 SHEET 15 OF 17



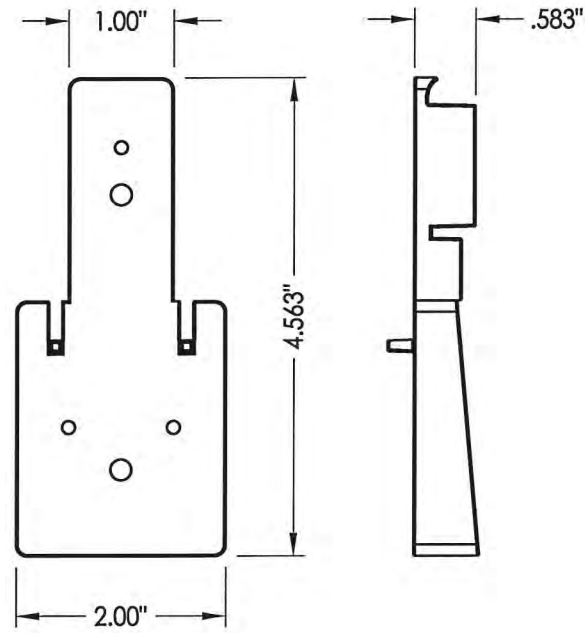
1 SIDE & HEAD JAMBS



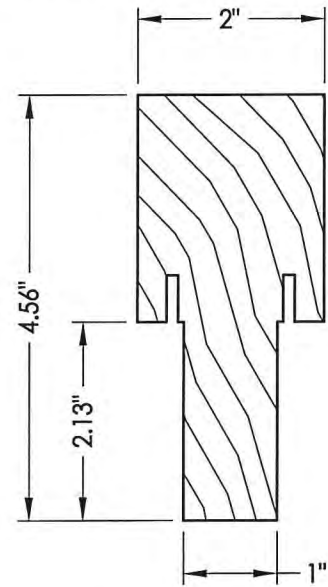
1A SIDE & HEAD JAMBS
(5-1/4" or larger)



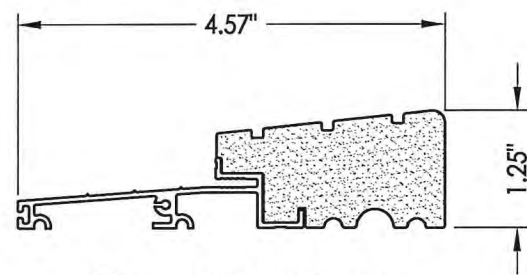
2 HEAD AND JAMBS
Composite PVC Base
w/ Fiberglass Wrap



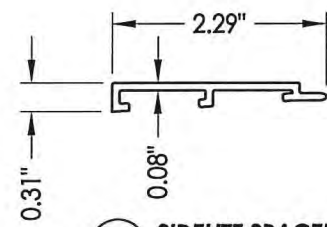
69 MULLION BASE KIT
Optional



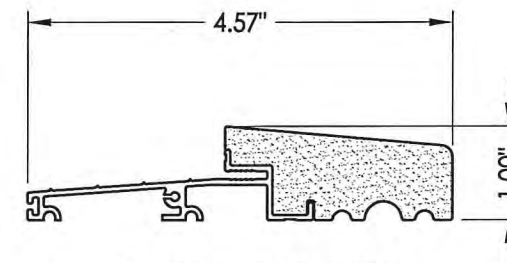
67 INTEGRAL MULLION



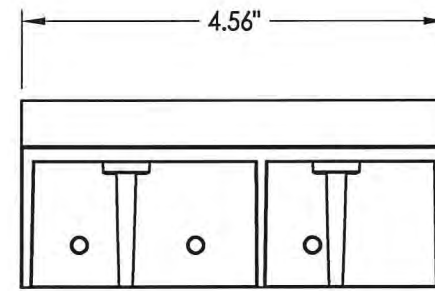
25 OUTSWING THRESHOLD
High-dam option



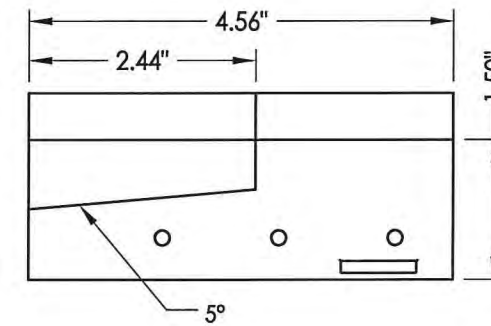
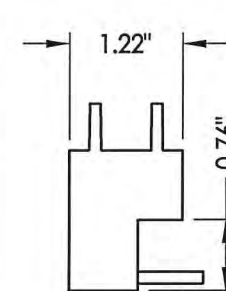
66 SIDELITE SPACER
Outswing



27 OUTSWING THRESHOLD

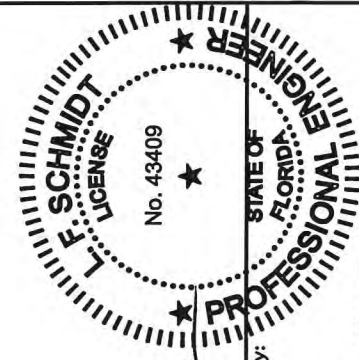
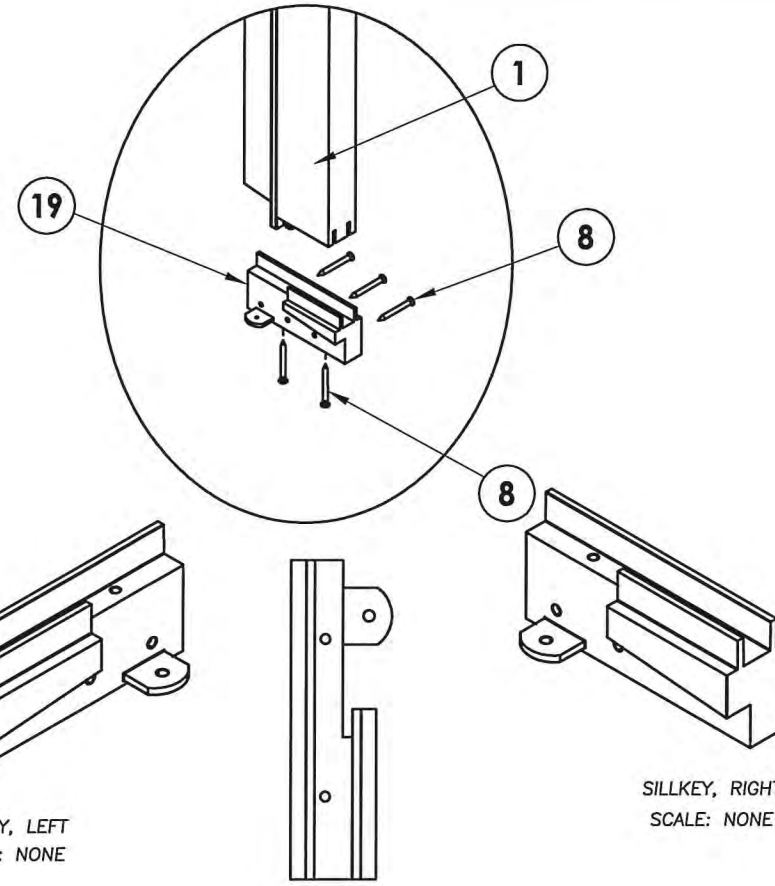


19 SILLKEY DETAILS
Optional



SILLKEY, LEFT
SCALE: NONE

SILLKEY, RIGHT
SCALE: NONE

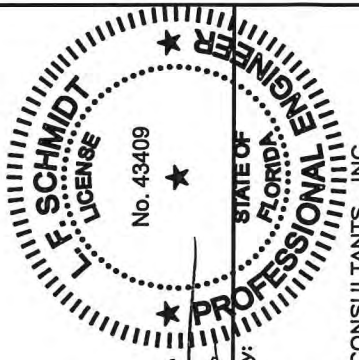


Documents Prepared By:
Lyndon F. Schmidt
P.E. No. 43409

R.W. BUILDING CONSULTANTS, INC.
P.O. Box 230, Valrico, FL 33595
Phone No.: 813.659.9197
FBPE C.A. No. 9813

PRODUCT: TRINITY GLASS INT'L										
PART OR ASSEMBLY: COMPONENTS										
DATE: 02/27/12	SCALE: N.T.S.									
DWG. BY: JK	CHK. BY: LFS									
DRAWING NO.: FL-15255.6	SHEET 16 OF 17									
<table border="1"> <thead> <tr> <th>NO.</th> <th>DATE</th> <th>REVISIONS</th> </tr> </thead> <tbody> <tr> <td>1</td> <td>03/02/15</td> <td>UPDATE TO 5TH ED. (2014) FBC</td> </tr> <tr> <td>JK</td> <td>BY</td> <td></td> </tr> </tbody> </table>		NO.	DATE	REVISIONS	1	03/02/15	UPDATE TO 5TH ED. (2014) FBC	JK	BY	
NO.	DATE	REVISIONS								
1	03/02/15	UPDATE TO 5TH ED. (2014) FBC								
JK	BY									

BILL OF MATERIALS		
ITEM #	DESCRIPTION	MATERIAL
A	1X BUCK SG >= 0.55	WOOD
B	2X BUCK SG >= 0.55	WOOD
C	1/4" MAX. SHIM SPACE	-
D	1/4" X 2-3/4" PFH ELCO OR ITW CONCRETE SCREW	STEEL
E	MASONRY - 3,000 PSI MIN. CONCRETE CONFORMING TO ACI 301 OR HOLLOW BLOCK CONFORMING TO ASTM C90	CONCRETE
F	1/4" X 3-3/4" PFH ITW CONCRETE SCREW	STEEL
H	1/4" X 3-1/4" PFH ITW CONCRETE SCREW	STEEL
J	#9 X 2-1/4" PFH WS	STEEL
L	#8 X 2-1/2" PFH WS	STEEL
M	3/16" X 3-1/4" PFH ITW CONCRETE SCREW	STEEL
P	1/4" X 2-3/4" PFH ELCO OR ITW CONCRETE SCREW	STEEL
Q	3/16" X 2-1/4" PFH ITW CONCRETE SCREW	STEEL
1	JAMB (FINGER-JOINT PINE - SG >= 0.42)	WOOD
1A	STRIKE JAMB - FINGER-JOINT PINE (5-1/4") - SG >= 0.42	WOOD
2	JAMB	FIBERGLASS/COMP
8	#6 X 1-1/4 PFH DRYWALL SCREW	STEEL
9	#9 X 2-1/4" PFH WOOD SCREW	STEEL
12	WEATHER STRIP QEBD650 Q-LON	-
18	3.983" X 4.0" HINGE MIN 0.098" THICK	STEEL
19	SILLKEY	PC/ASA
22	DEADBOLT STRIKE PLATE	STEEL
23	STRIKE PLATE	STEEL
24	#9 X 5/8" PFH WS	STEEL
25	OUTSWING HIGH-DAM THRESHOLD ALUMINUM W/ COMPOSITE SUBSTRATE	ALUM./ COMP.
26	#9 X 1.0" PFH WS	STEEL
27	OUTSWING THRESHOLD ALUMINUM W/ COMPOSITE SUBSTRATE	ALUM./ COMP.
40	DOOR PANEL - SEE DOOR PANEL DETAIL SHEET FOR CONSTRUCTION DETAILS	-
60	SIDELITE PANEL - SEE SIDELITE PANEL DETAIL SHEET FOR CONSTRUCTION DETAILS	-
62	QUARTER ROUND	
63	#8 X 2-1/4" PFH WOOD SCREW	STEEL
64	#8 X 2" PFH WOOD SCREW	STEEL
67	INTEGRAL MULLION - FINGER JOINT PINE (SG >= 0.42)	WOOD
69	MULLION BASE KIT	PC/ASA



LFS
S. R. P.

Documents Prepared By:
Lyndon F. Schmidt
P.E. No. 43409

R.W.
BUILDING CONSULTANTS, INC.
P.O. Box 230, Valrico, FL 33595
Phone No.: 813.659.9197
FBPE C.A. No. 9813

PRODUCT: TRINITY GLASS INT'L
PART OR ASSEMBLY: BILL OF MATERIALS

NO.	DATE	BY	REVISIONS
1	03/02/15	JK	UPDATE TO 5TH ED. (2014) FBC

DATE: 02/27/12
SCALE: N.T.S.
DWG. BY: JK
CHK. BY: LFS
DRAWING NO.: FL-15255.6
SHEET 17 OF 17